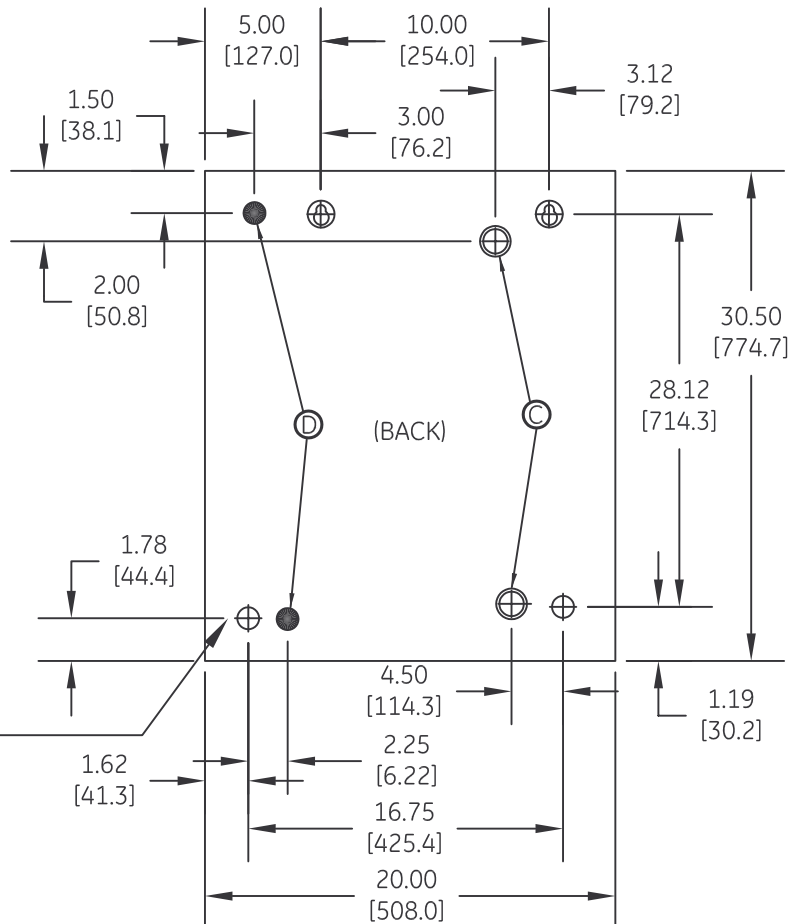
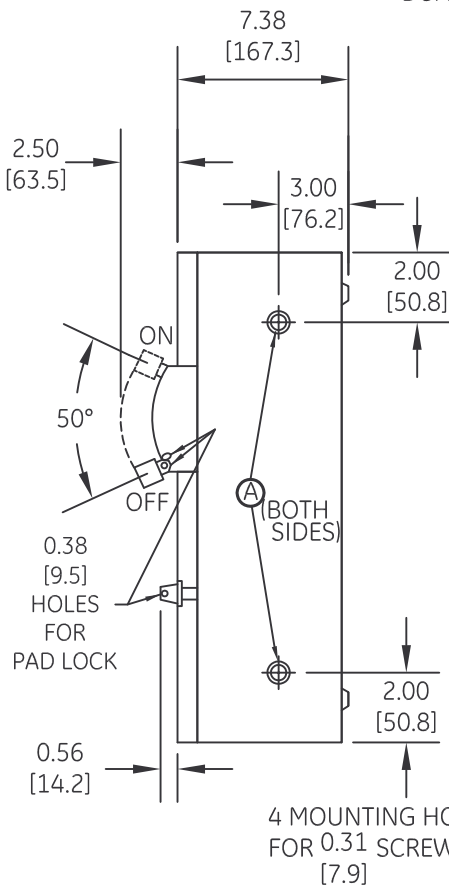
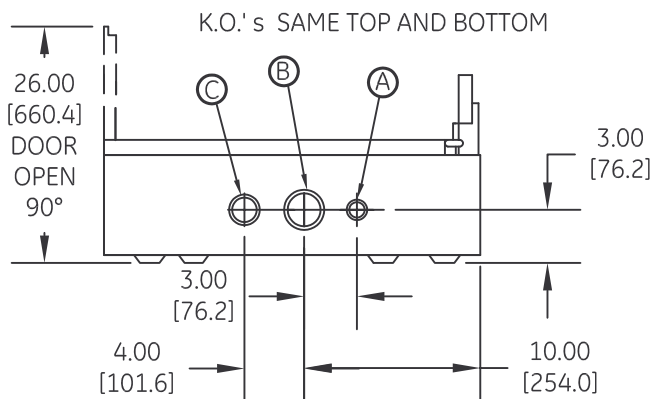
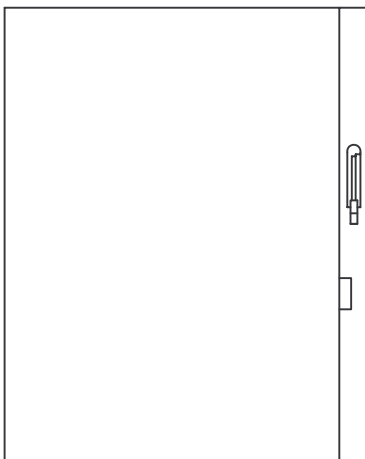


DUAL DIMENSIONS INCHES (ESTIMATING ONLY)  
[MILLIMETERS]



- (A) COMB. K.O.'s FOR 1/2" OR 3/4" CONDUIT
- (B) COMB. K.O.'s FOR 2 OR 2-1/2" CONDUIT
- (C) COMB. K.O.'s FOR 1-1/2" OR 2" CONDUIT
- (B) COMB. K.O.'s FOR 3/4" OR 1" CONDUIT

- (A) COMB. K.O.'s FOR 1/2" OR 3/4" CONDUIT
- (B) COMB. K.O.'s FOR 2 OR 2-1/2" CONDUIT
- (C) COMB. K.O.'s FOR 1-1/2" OR 2" CONDUIT
- (D) COMB. K.O.'s FOR 3/4" OR 1" CONDUIT



imagination at work

OUTLINE  
TYPE 1 ENCLOSED

| AN #    | THIRD ANGLE PROJECTION | SHEET # | DWG NO.   | DATE       | REV |
|---------|------------------------|---------|-----------|------------|-----|
| 09-9112 |                        | 1 OF 1  | 55-200206 | 08/12/2009 | 3   |