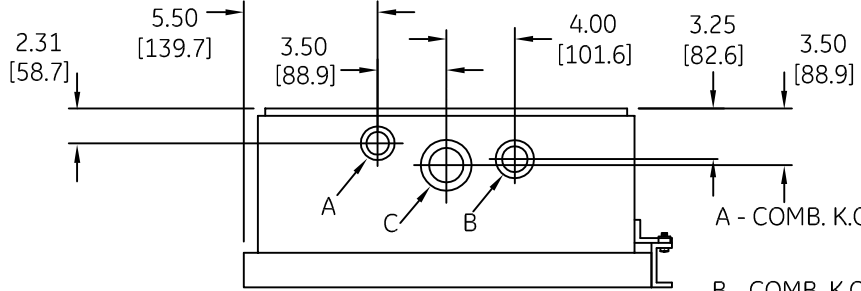
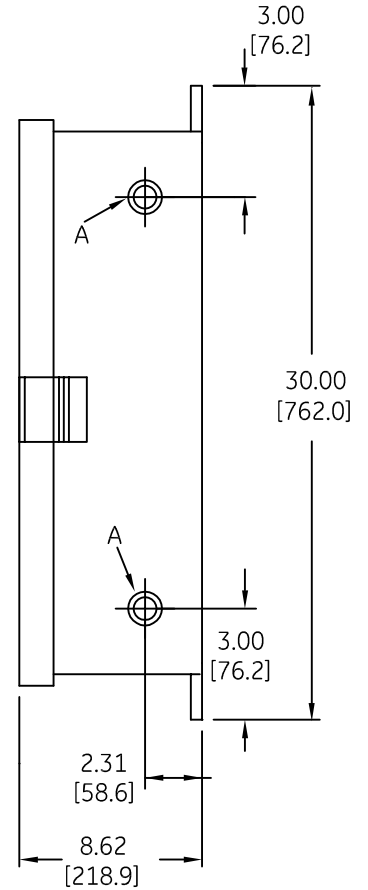
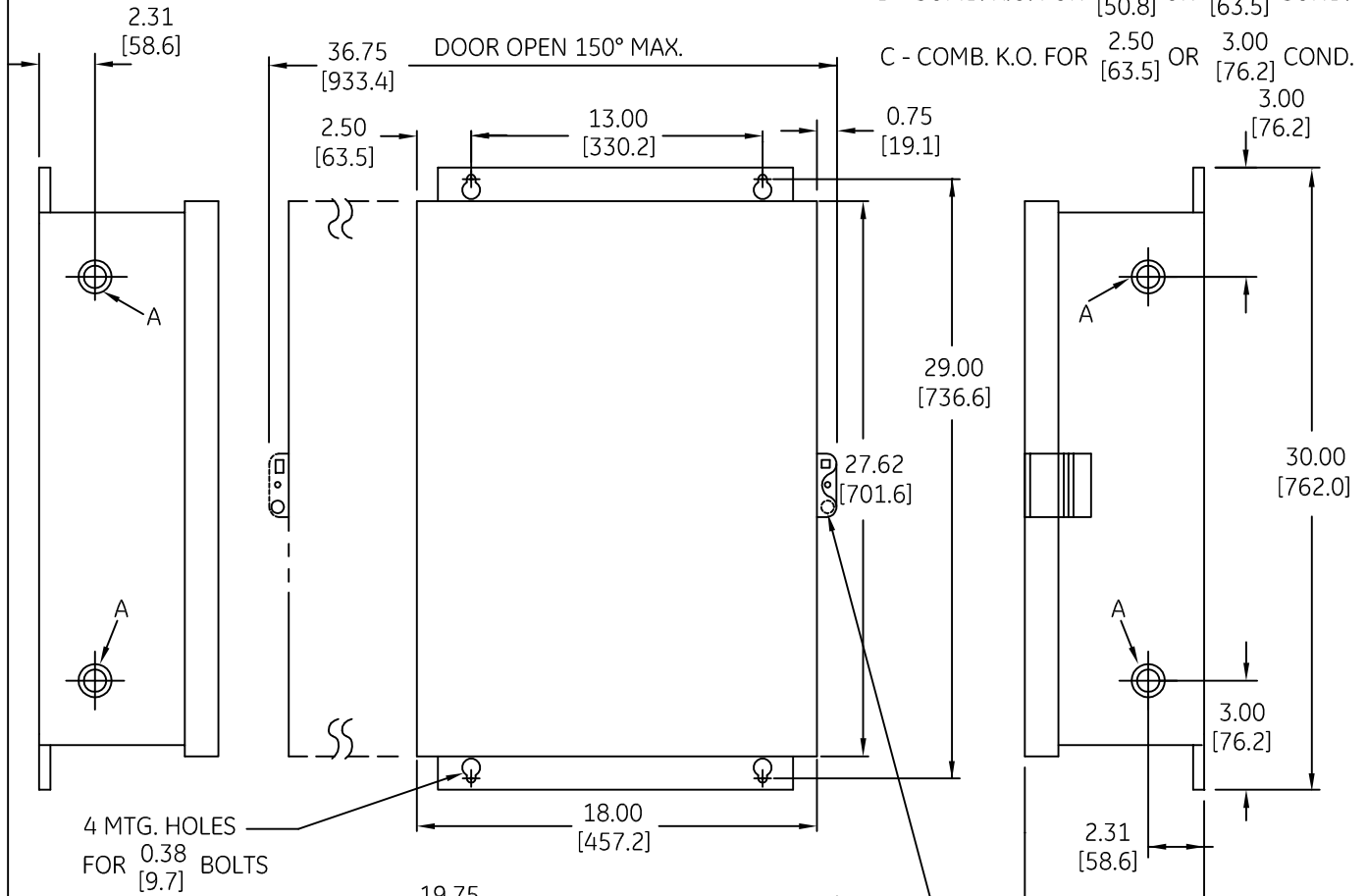


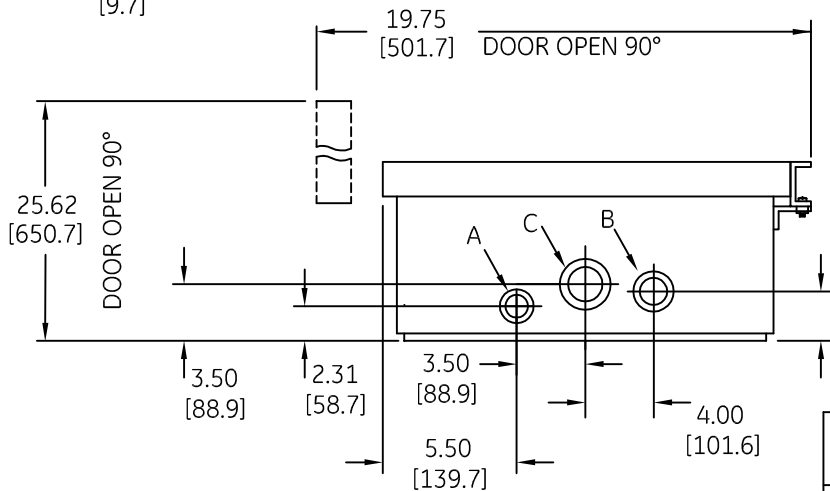
DUAL DIMENSIONS INCHES (ESTIMATING ONLY)
[MILLIMETERS]



- A - COMB. K.O. FOR 0.50 [12.7] OR 0.75 [19.1] COND.
- B - COMB. K.O. FOR 2.00 [50.8] OR 2.50 [63.5] COND.
- C - COMB. K.O. FOR 2.50 [63.5] OR 3.00 [76.2] COND.

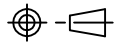


0.50 [12.7] DIA HOLE FOR PADLOCK



 imagination at work

OUTLINE
TYPE 1 ENCLOSED

AN #	THIRD ANGLE PROJECTION	SHEET #
09-9107		1 OF 1

DWG NO.	DATE	REV
55-200210	08/07/2009	1