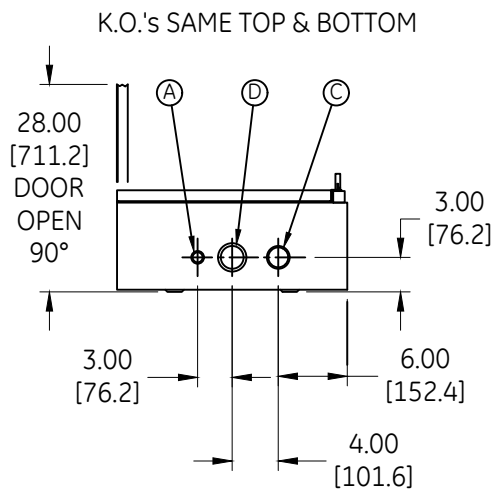
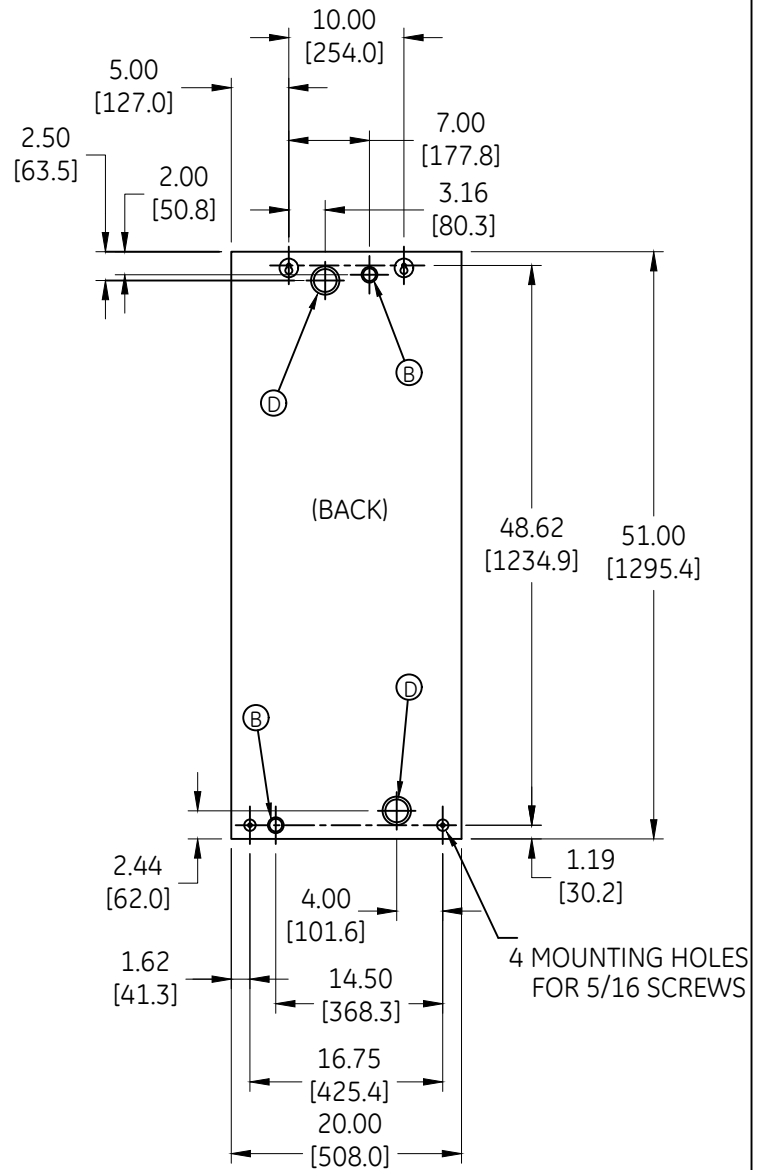
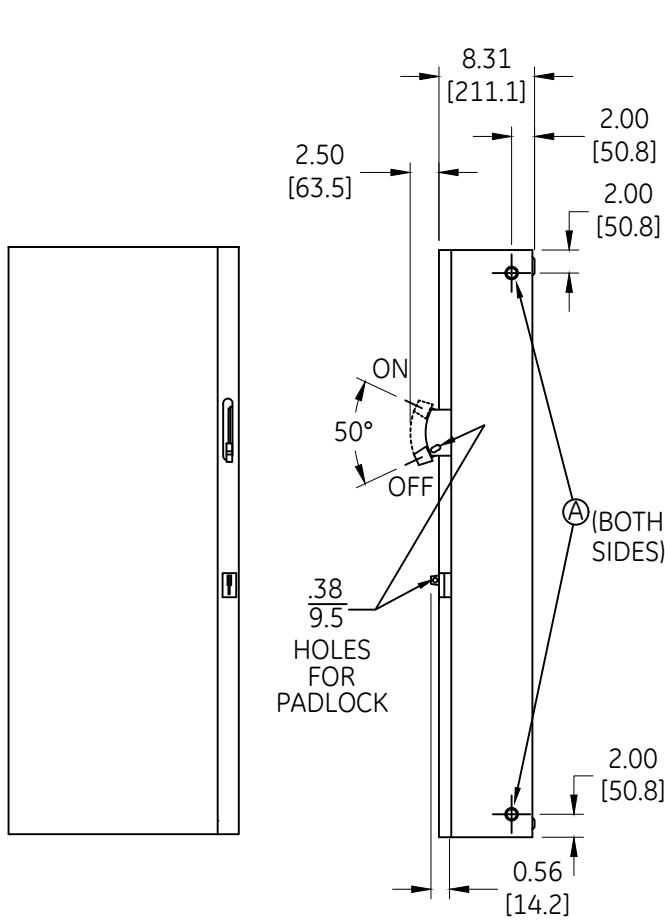


DUAL DIMENSIONS

INCHES
[MILLIMETERS]

(ESTIMATING ONLY)



- Ⓐ COMB. K.O.'s FOR 1/2 OR 3/4 CONDUIT
- Ⓑ COMB. K.O.'s FOR 3/4 OR 1" CONDUIT
- Ⓒ COMB. K.O.'s FOR 1 1/2 OR 2" CONDUIT
- Ⓓ COMB. K.O.'s FOR 2" OR 2 1/2" CONDUIT

ABB

OUTLINE
TYPE 1 ENCLOSED

THIRD ANGLE	SHEET#	DWG NO.	DATE	REV
	1 of 1	55-200212	03/21	04