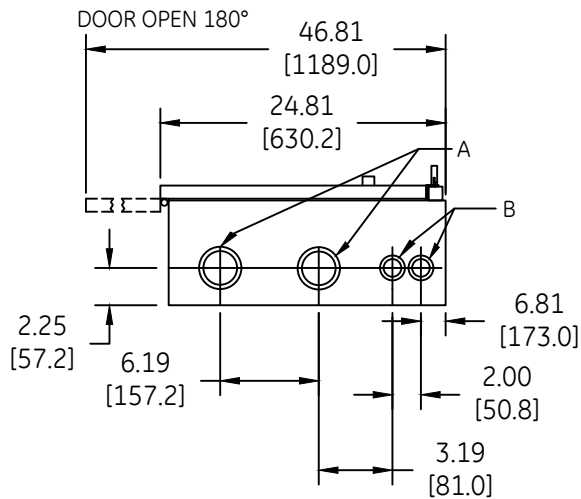
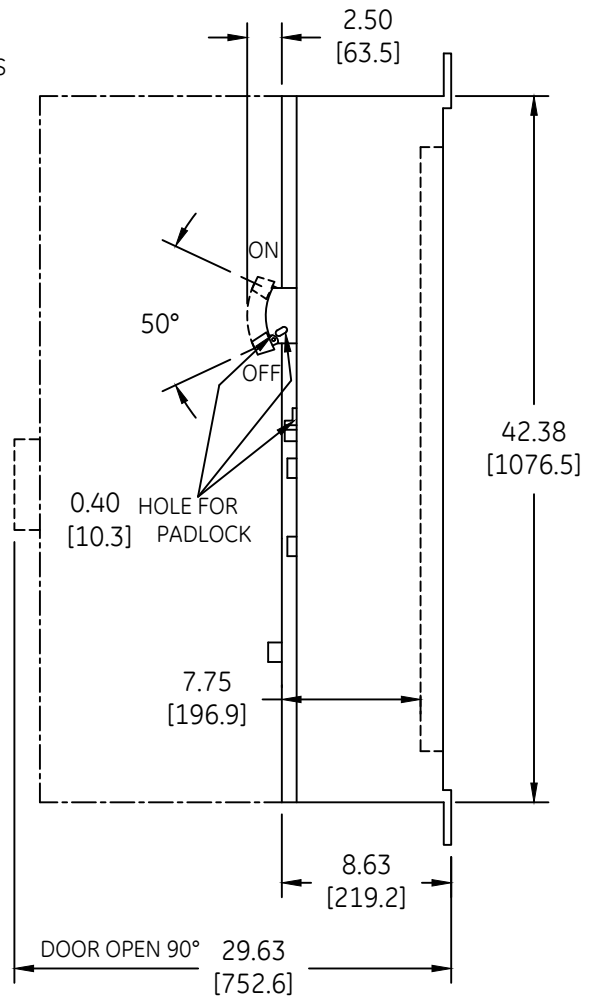
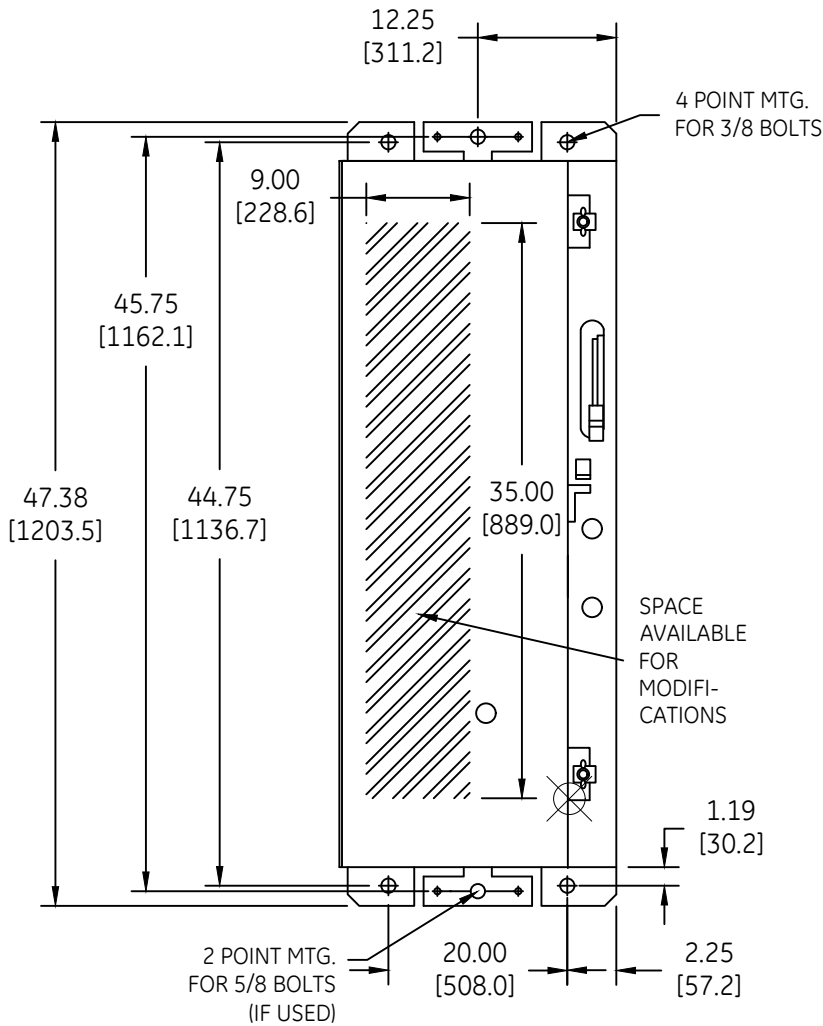


DUAL DIMENSIONS INCHES [MILLIMETERS] (ESTIMATING ONLY)



A-COMB K.O. FOR 1.5" OR 2" CONDUIT
 B-COMB K.O. FOR 5" OR .75" CONDUIT



OUTLINE
 TYPE 3R

THIRD ANGLE	SHEET#	DWG NO.	DATE	REV
	1 of 1	55-200230	03/21	07