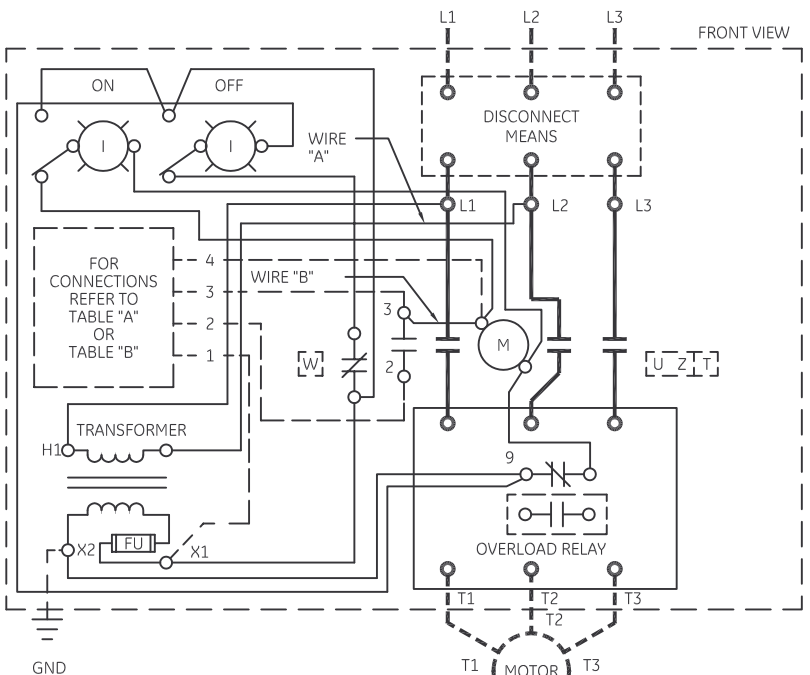


TABLE A STANDARD PILOT DEVICES	TABLE B OIL-TIGHT PILOT DEVICES
<b>START-STOP</b> 	<b>START-STOP</b> 
<b>PUSHBUTTONS</b> 	<b>PUSHBUTTONS</b> 
(OMIT WIRE "B") <b>2 POSITION SELECTOR SWITCH</b> 	(OMIT WIRE "B") <b>2 POSITION SELECTOR SWITCH</b> 
(OMIT WIRE "B") <b>3 POSITION SELECTOR SWITCH</b> 	(OMIT WIRE "B") <b>3 POSITION SELECTOR SWITCH</b> 



-NOMENCLATURE-  
M-LINE CONTACTOR  
OL-OVERLOAD RELAY  
I-INDICATING LIGHT  
FU-FUSE  
X-INDICATES CONTACT CLOSED

GROUND KIT

1/2-IN CONDUIT	55-213403G001
3/4-IN CONDUIT	55-213403G002
1-IN CONDUIT	55-213403G003
1 1/4-IN CONDUIT	55-213403G004
1 1/2-IN CONDUIT	55-213403G005
2-IN CONDUIT	55-213403G006
2 1/2-IN CONDUIT	55-213403G007
3-IN CONDUIT	55-213403G008

	LINE	LOAD
USE 75°C COPPER CONDUCTORS ONLY, FOR FIELD WIRING, TORQUE	CR306 20 LB-IN	20 LB-IN
LINE AND LOAD TERMINALS AS MARKED OR AS SHOWN AT RIGHT:	CR307 AS MARKED	20 LB-IN
	CR308 35 LB-IN	20 LB-IN
	CR387 AS MARKED	20 LB-IN

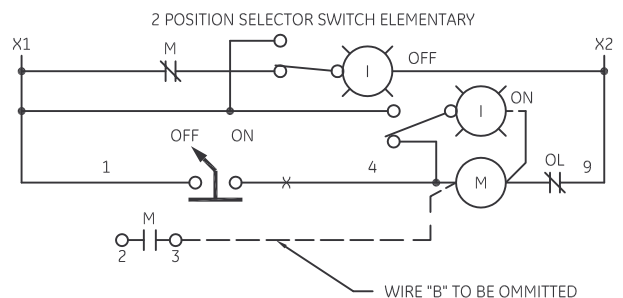
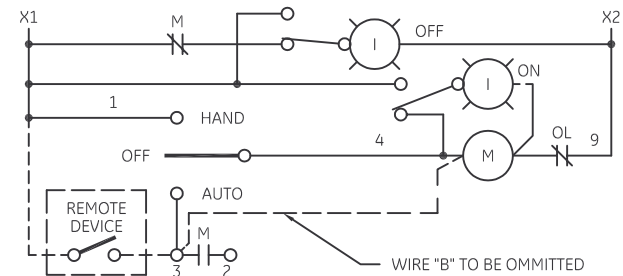
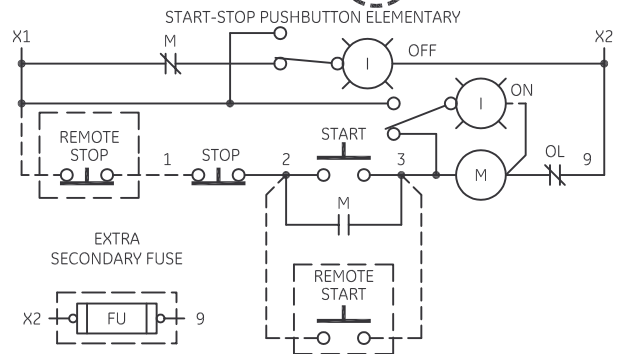
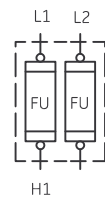
NOTE: ADDITIONAL OVER-CURRENT PROTECTION MAY BE REQUIRED. REFER TO THE NATIONAL ELECTRICAL CODE OR LOCAL ELECTRICAL CODE AS REQUIRED.

FOR 1-PHASE OPERATION USING  
• SOLID STATE OVERLOAD RELAY  
SEE GEH-6430 (sz 1,2) OR GEH-6431 (sz 3,4)  
• THERMAL OVERLOAD RELAY  
CHANGE CONNECTION WIRE "A" FROM L2 TO L3.  
CONNECT LINE TO L1 AND L3 AND LOAD TO T1 AND T3.

FOR STARTER WITHOUT DISCONNECT MEANS - WIRE LINE DIRECT TO L1, L2 AND L3 ON STARTER.

FOR EXTRA AUXILIARY CONTACTS- A MAXIMUM OF 3 CONTACTS MAY BE ADDED AT POSITIONS T, U, W, & Z FOR SIZE 0 & 1 ONLY.

CONTROL CIRCUIT FUSING



imagination at work

WIRING DIAGRAM  
FVNR SIZE 00, 0 & 1

AN #	THIRD ANGLE PROJECTION	SHEET #
09-9111		1 OF 1

DWG NO.	DATE	REV
55-202088	08/07/2009	4