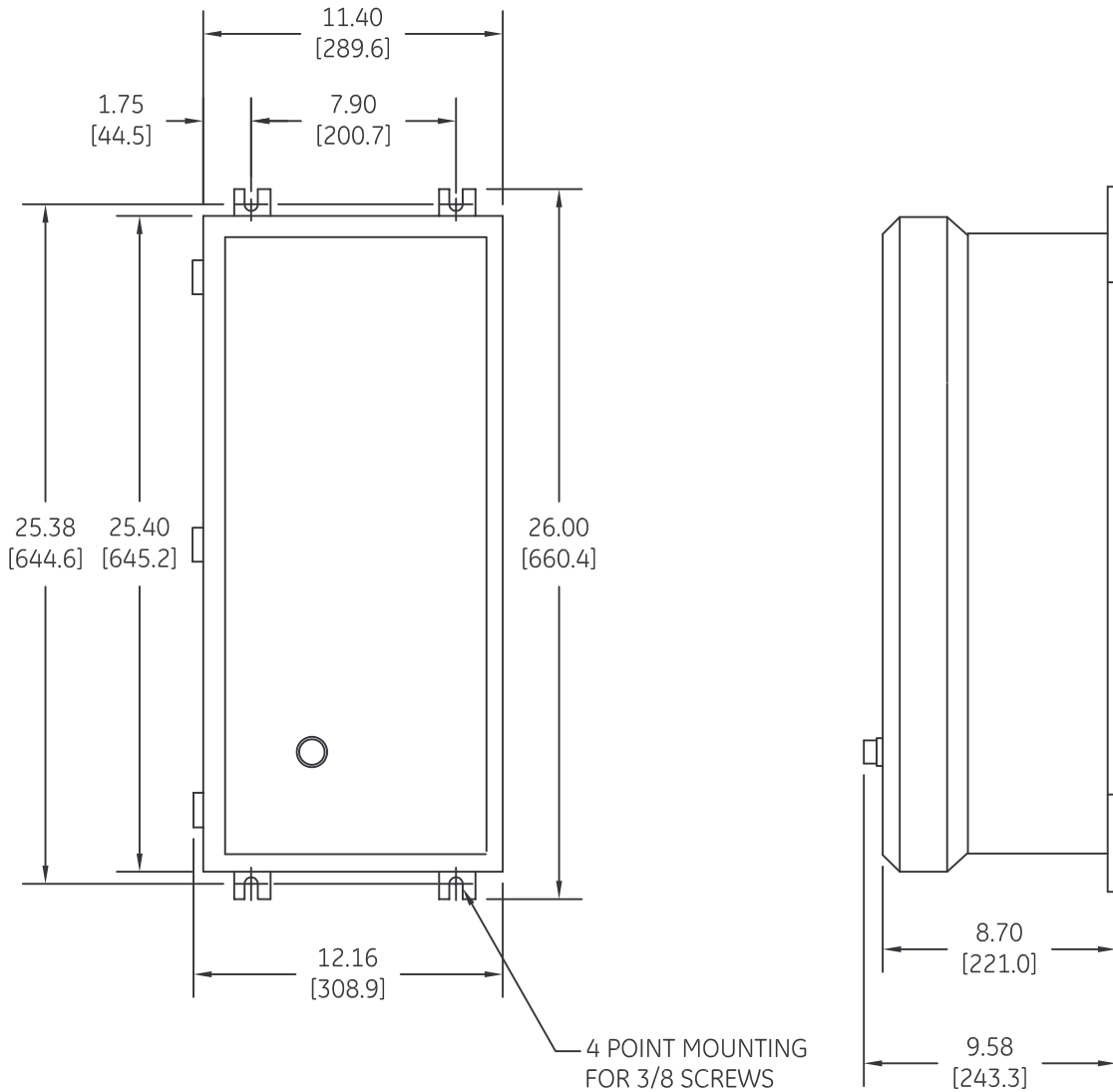


DUAL DIMENSIONS INCHES (ESTIMATING ONLY)
[MILLIMETERS]



1



imagination at work

OUTLINE
TYPE 4X ENCLOSED

AN #	THIRD ANGLE PROJECTION	SHEET #
09-9112		1 OF 1

DWG NO.	DATE	REV
55-202459	08/14/2009	1