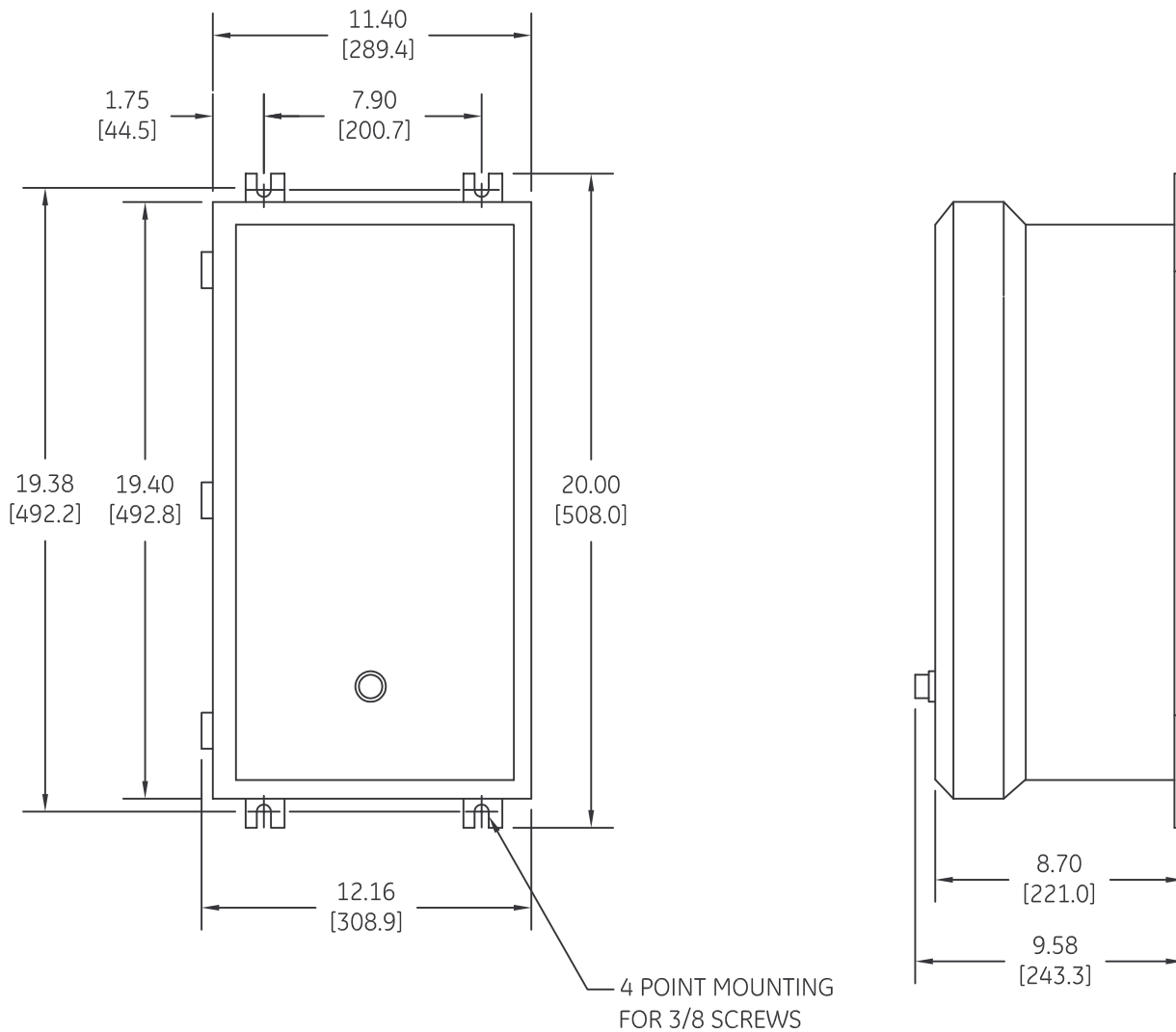

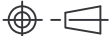


DUAL DIMENSIONS INCHES (ESTIMATING ONLY)
[MILLIMETERS]



1

 imagination at work		
OUTLINE TYPE 4X ENCLOSED		
DWG NO.	DATE	REV
55-202460	08/17/2009	1

AN #	THIRD ANGLE PROJECTION	SHEET #
09-9112		1 OF 1