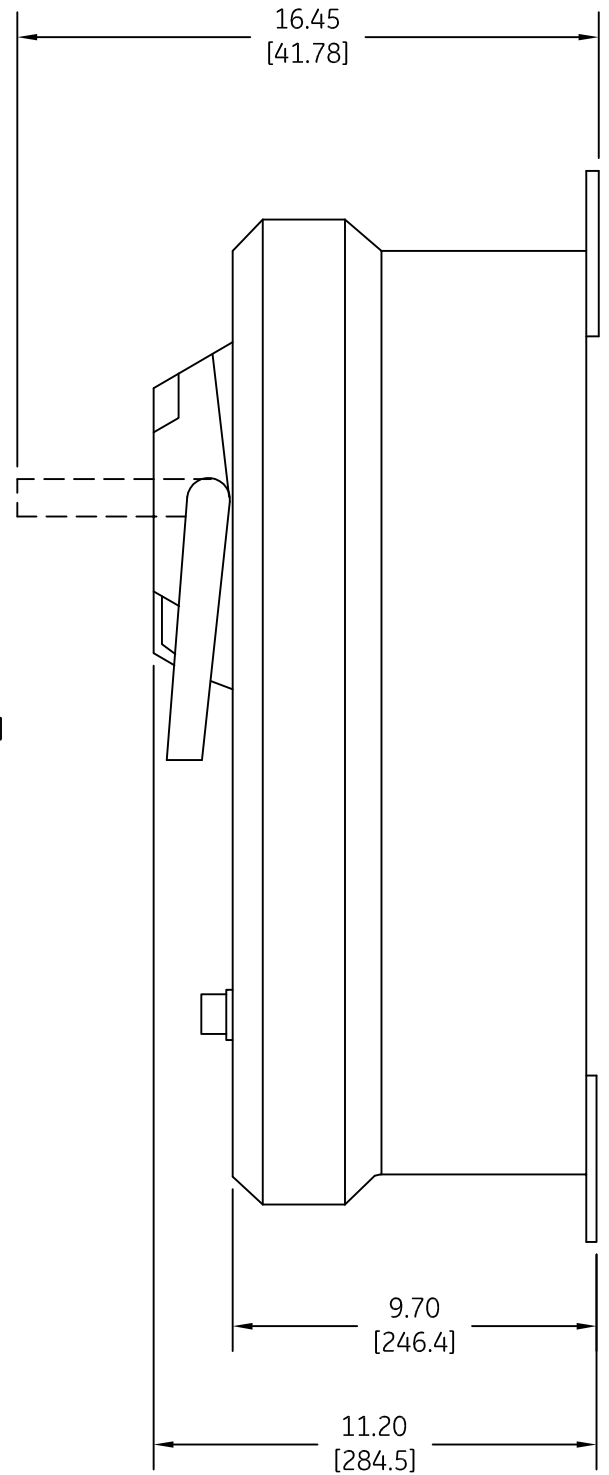
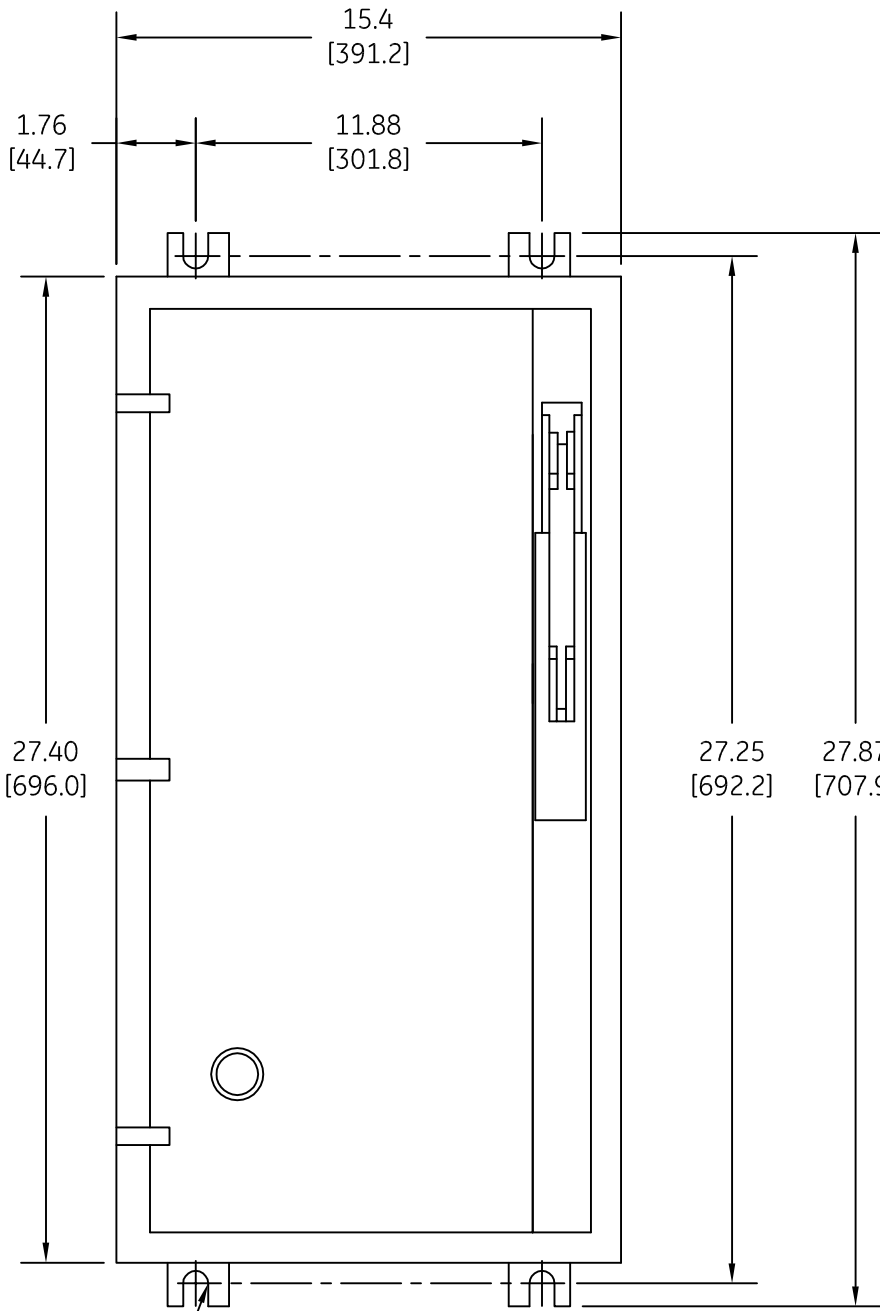


DUAL DIMENSIONS INCHES (ESTIMATING ONLY)  
[MILLIMETERS]



4 POINT MOUNTING  
FOR 3/8 SCREWS

1



imagination at work

OUTLINE  
TYPE 4X ENCLOSED

AN #	THIRD ANGLE PROJECTION	SHEET #
09-9112		1 OF 1

DWG NO.	DATE	REV
55-202472	08/20/2009	1