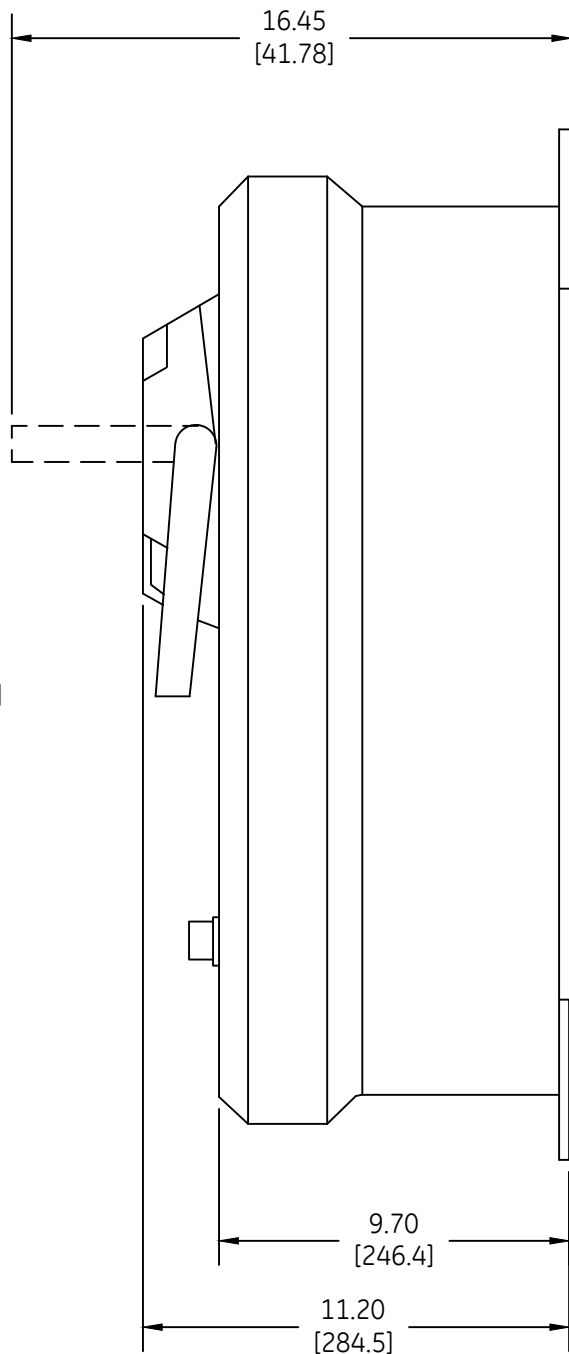
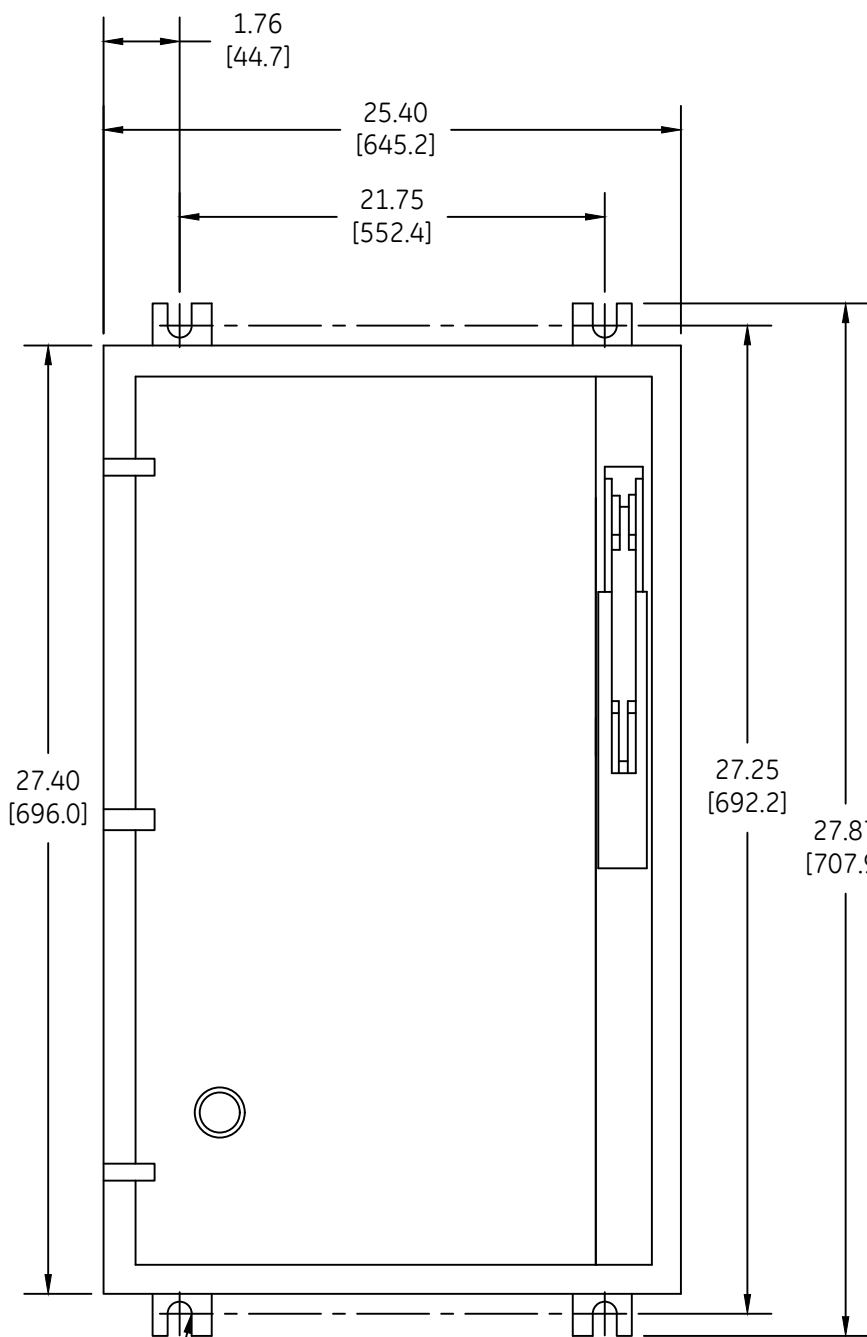


DUAL DIMENSIONS

INCHES
[MILLIMETERS]

(ESTIMATING ONLY)



4 POINT MOUNTING
FOR 3/8 SCREWS

1

ABB

OUTLINE
TYPE 4X ENCLOSED

THIRD ANGLE	SHEET#	DWG NO.	DATE	REV
	1 of 1	55-202473	03/21	03