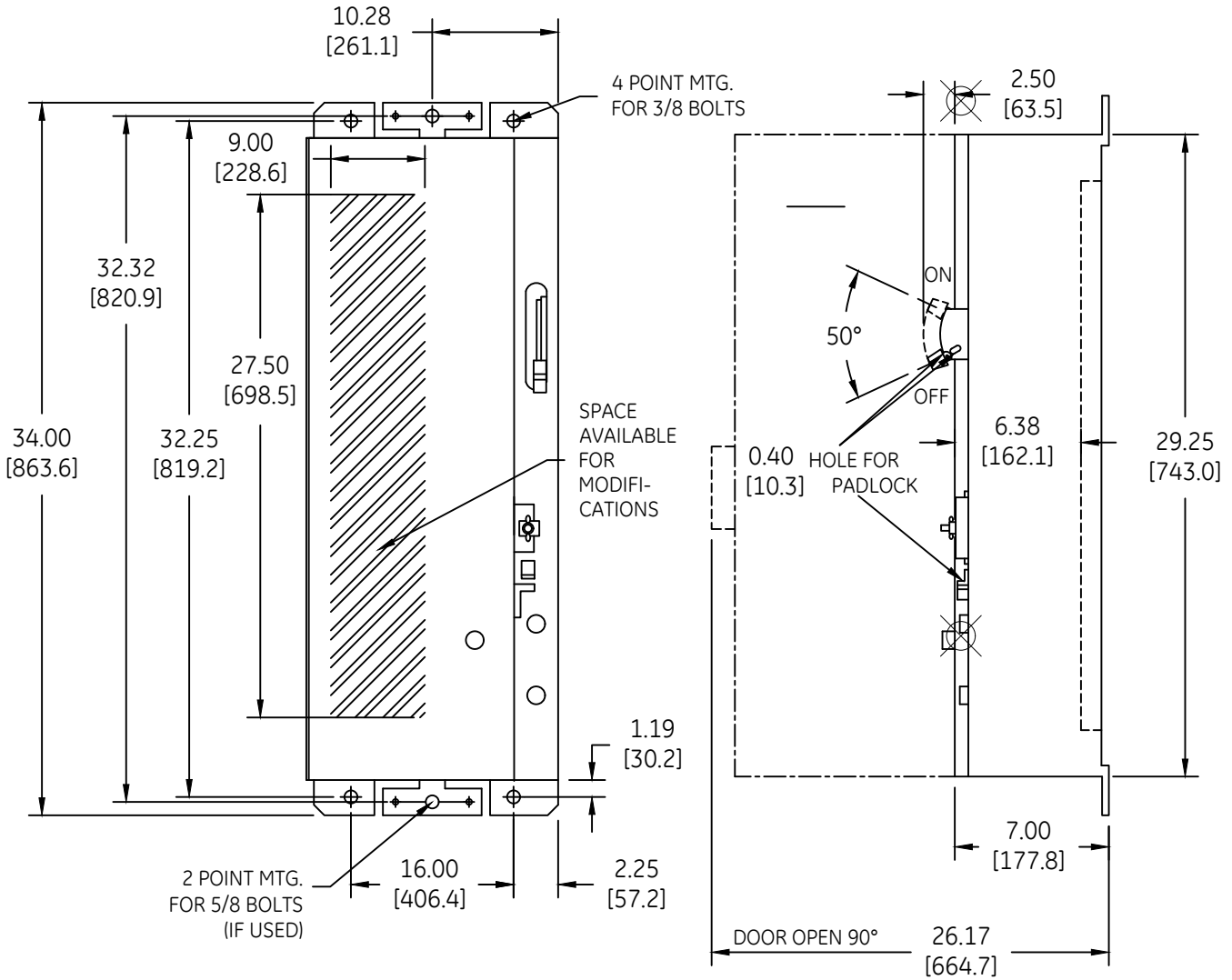


DUAL DIMENSIONS INCHES [MILLIMETERS] (ESTIMATING ONLY)



A-COMB K.O. FOR 1" OR 1.25" CONDUIT
 B-COMB K.O. FOR 1.5" OR 2" CONDUIT
 C-COMB K.O. FOR .75" OR 1" CONDUIT
 D-COMB K.O. FOR .5" OR .75" CONDUIT



OUTLINE
 TYPE 3R

THIRD ANGLE	SHEET#	DWG NO.	DATE	REV
	1 of 1	55-202732	03/21	12