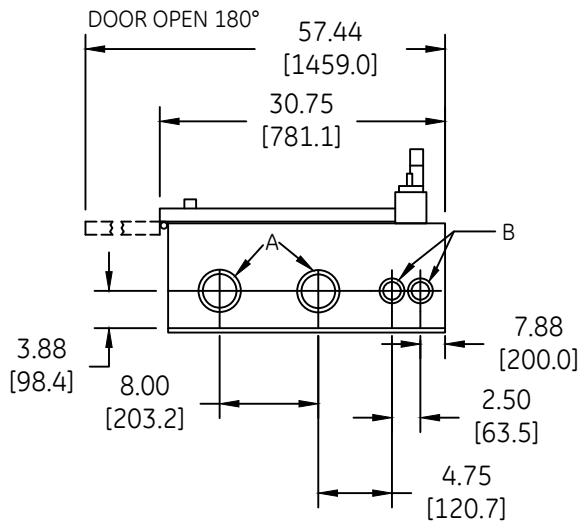
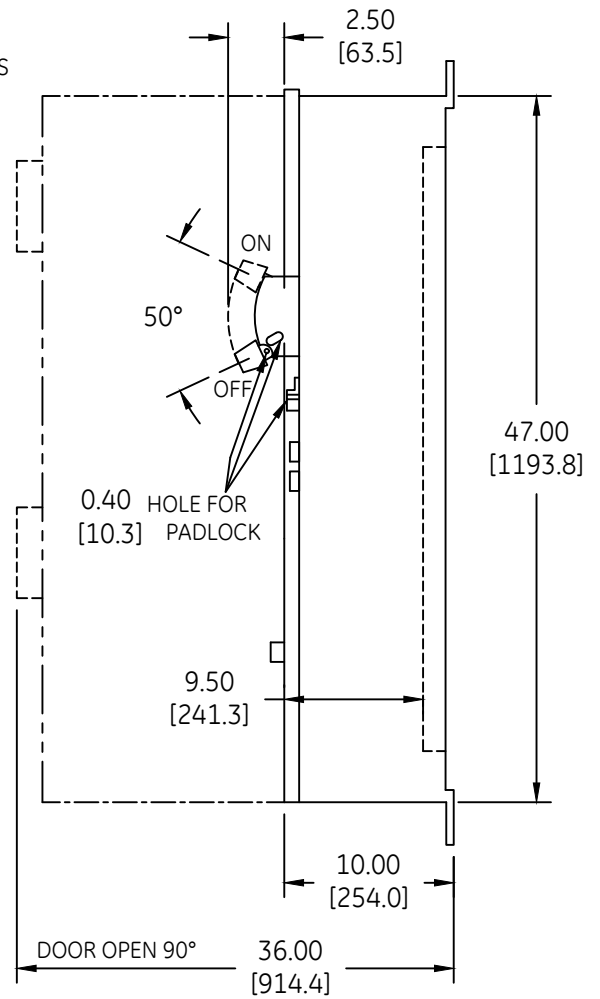
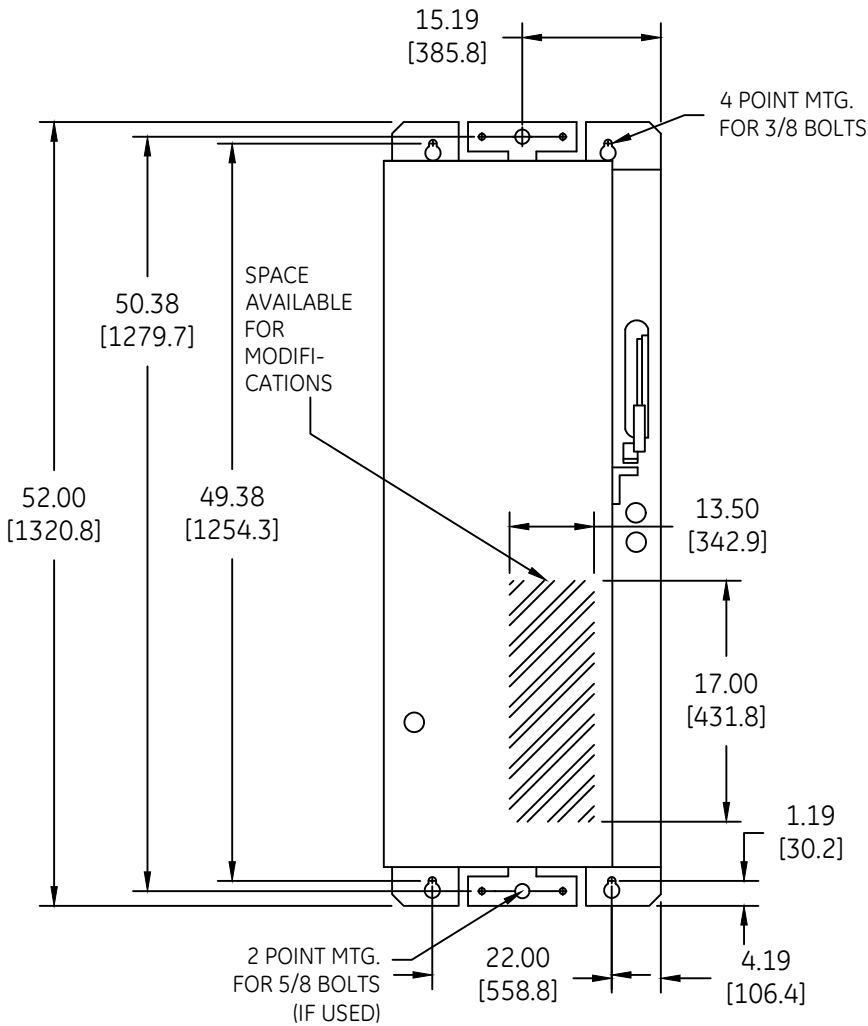


DUAL DIMENSIONS INCHES (ESTIMATING ONLY)
[MILLIMETERS]



A-COMB K.O. FOR 2" OR 2.5" CONDUIT
B-COMB K.O. FOR 0.5" OR 0.75" CONDUIT



OUTLINE
TYPE 3R ENCLOSED

THIRD ANGLE	SHEET#	DWG NO.	DATE	REV
	1 of 1	55-202734	03/21	11