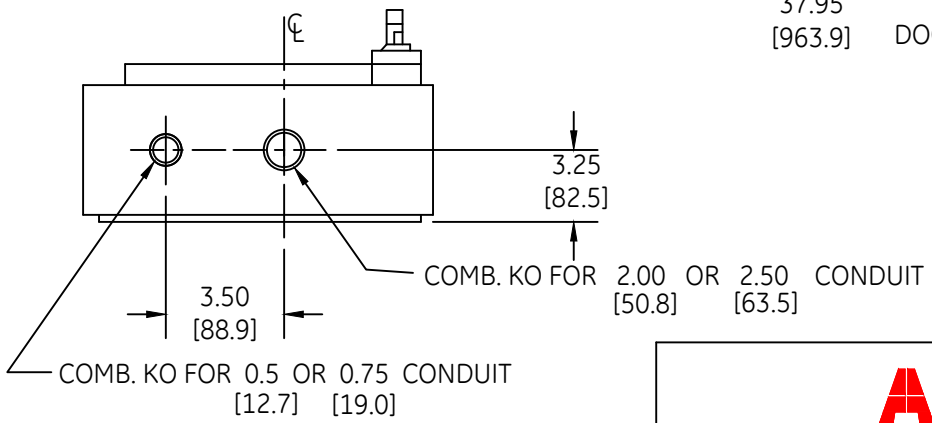


FOUR POINT MTG.
FOR 0.312 SCREWS



**OUTLINE
TYPE 3R ENCLOSED**

THIRD ANGLE	SHEET#	DWG NO.	DATE	REV
	1 of 1	55-205633	03/21	03