

TABLE A STANDARD PILOT DEVICES	TABLE B OIL-TIGHT PILOT DEVICES
START-STOP 	START-STOP
PUSHBUTTONS OFF ON (OMIT WIRE "B")	PUSHBUTTONS OFF ON (OMIT WIRE "B")
2 POSITION SELECTOR SWITCH HAND ○ RED 1 OFF ○ WHITE 3 AUTO ○ BLACK 4 (OMIT WIRE "B")	2 POSITION SELECTOR SWITCH HAND OFF AUTO (OMIT WIRE "B")
REMOTE DEVICE 	REMOTE DEVICE
3 POSITION SELECTOR SWITCH 	3 POSITION SELECTOR SWITCH

USE 75°C COPPER CONDUCTORS ONLY, FOR FIELD WIRING.

-NOMENCLATURE-
M-LINE CONTACTOR
I-INDICATING LIGHTS P-T-T
FU-FUSE
X-INDICATES CONTACT CLOSED

	LINE	LOAD
TORQUE LINE AND LOAD TERMINALS	CR305 20 LB-IN	20 LB-IN
AS SHOWN AT RIGHT	CR307 AS MARKED	20 LB-IN
	CR308 35 LB-IN	20 LB-IN
	CR387 AS MARKED	20 LB-IN

NOTE: REFER TO THE NATIONAL ELECTRICAL CODE. ADDITIONAL CONTROL CIRCUIT OVER-CURRENT PROTECTION MAY BE REQUIRED.

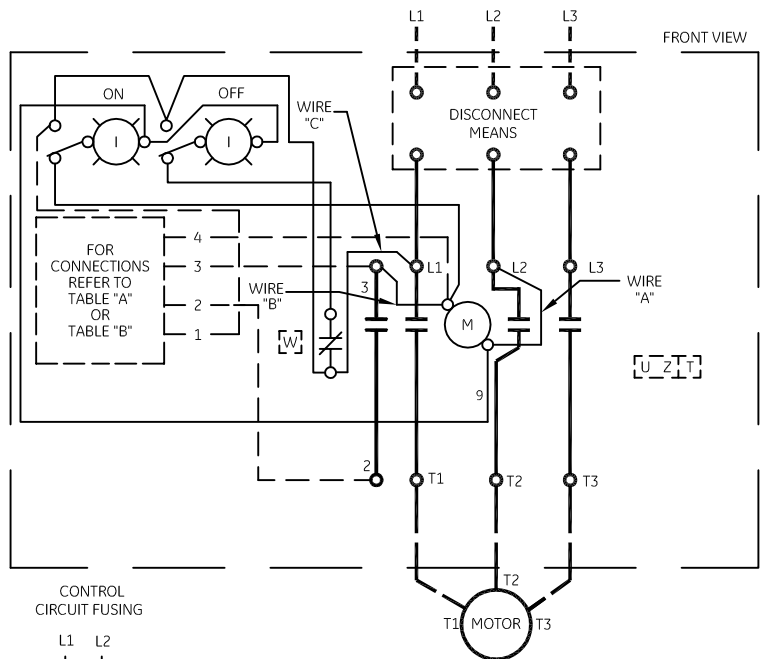
FOR 1-PHASE OPERATION - CHANGE CONNECTION OF WIRE "A" FROM L2 TO L3. CONNECT LINE TO L1 AND L3 AND LOAD TO T1 AND T3.

FOR CONTACTOR WITHOUT DISCONNECT MEANS - WIRE LINE DIRECT TO L1, L2 AND L3 ON CONTACTOR.

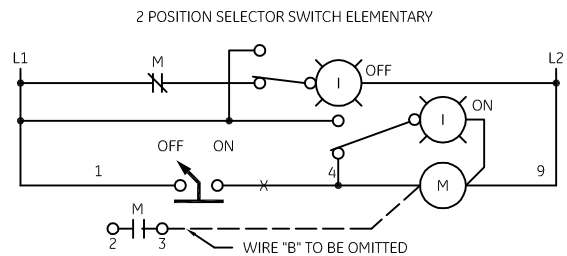
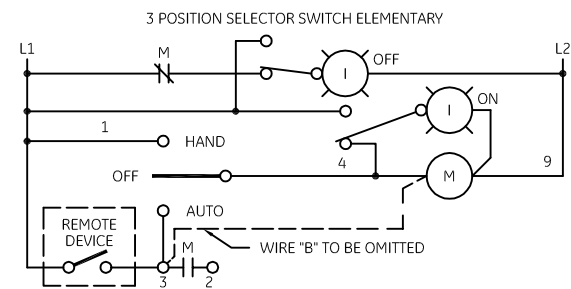
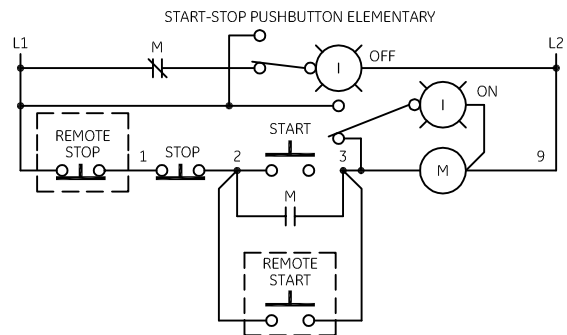
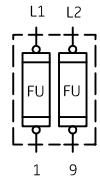
FOR CSA - GND KIT
1/2-IN CONDUIT 55-213403G001
3/4-IN CONDUIT 55-213403G002

FOR EXTRA AUXILIARY CONTACTS- A MAXIMUM OF 2 CONTACTS MAY BE ADDED AT POSITIONS T,U,W & Z FOR SIZE 0 & 1 ONLY.

FOR SEPARATE CONTROL SOURCE - OMIT WIRE "A" AND WIRE "C". CONNECT SEPARATE CONTROL SOURCE TO 9 ON COIL AND TO 1 ON PILOT DEVICE. WIRES "A" AND "C" ARE OMITTED AT FACTORY ON ALL CONTACTORS WITH A COIL VOLTAGE OF 120V OR LESS.



CONTROL CIRCUIT FUSING



imagination at work

WIRING DIAGRAM
FVNR SIZE 00, 0 & 1

AN #	THIRD ANGLE PROJECTION	SHEET #
09-9111		1 OF 1

DWG NO.	DATE	REV
55-205665	08/13/2009	3