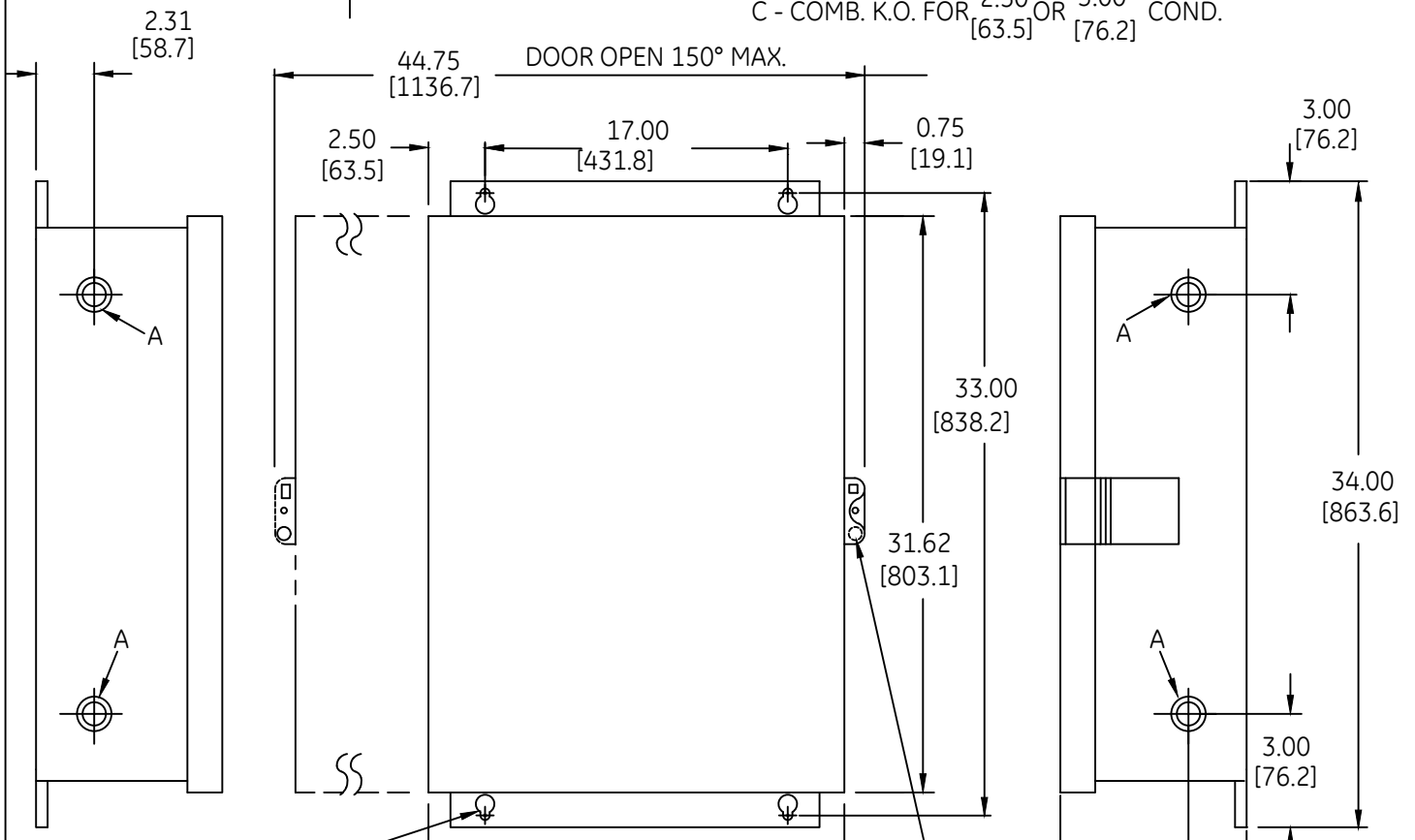
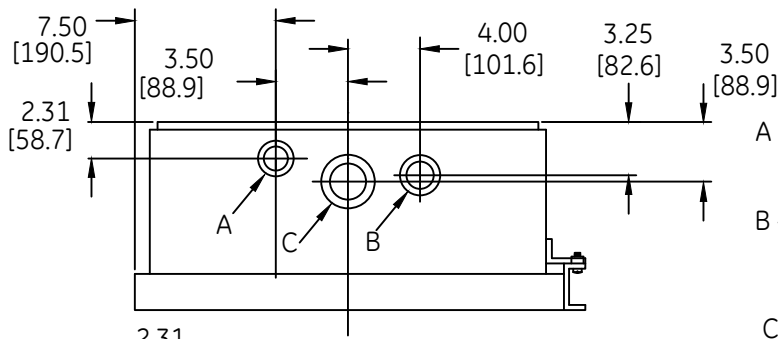
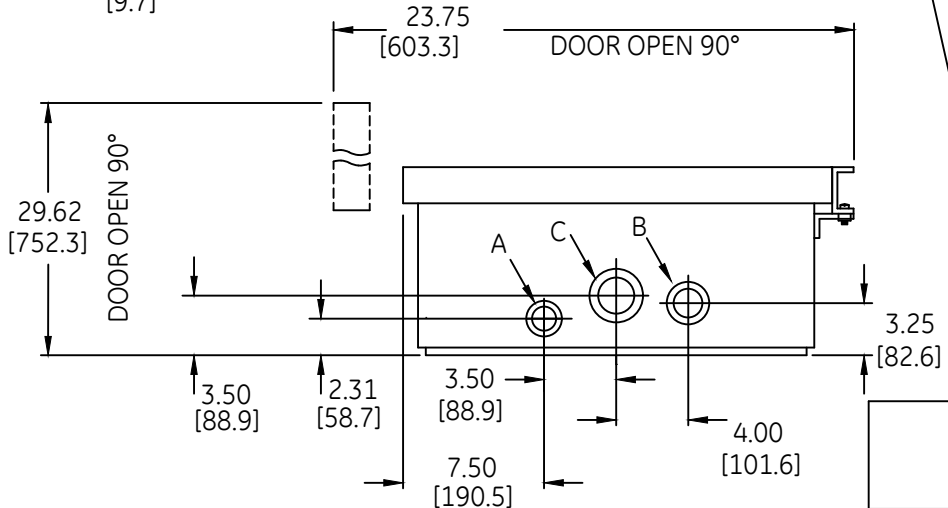


DUAL DIMENSIONS INCHES [MILLIMETERS] (ESTIMATING ONLY)



4 MTG. HOLES FOR 0.38 [9.7] BOLTS



0.50 [12.7] DIA HOLE FOR PADLOCK



OUTLINE
TYPE 1 ENCLOSED

THIRD ANGLE	SHEET#	DWG NO.	DATE	REV
	1 of 1	55-206589	03/21	03