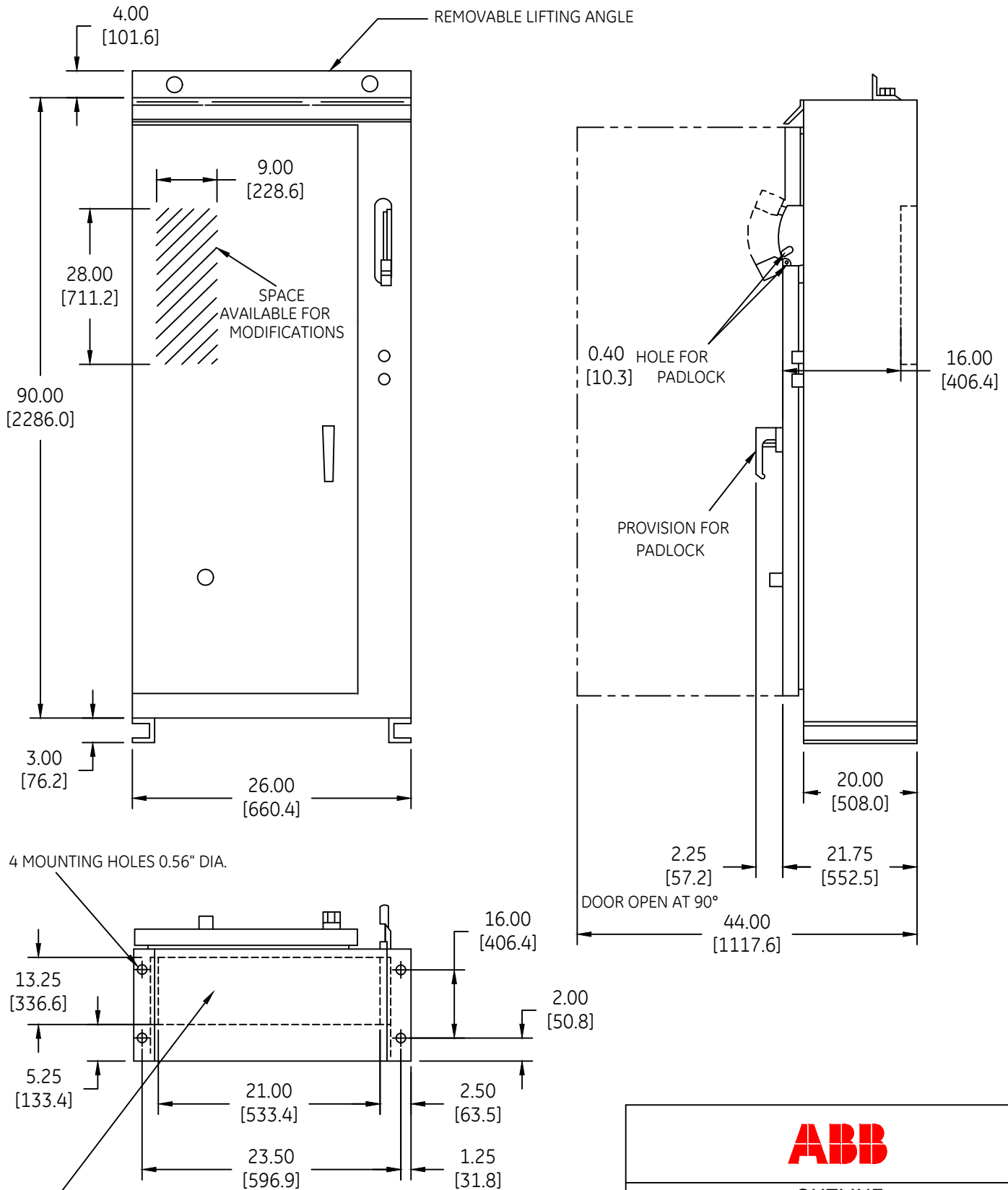


DUAL DIMENSIONS INCHES [MILLIMETERS] (ESTIMATING ONLY)



AVAILABLE OPEN AREA (INSIDE DOTTED LINES)



OUTLINE TYPE 3R

THIRD ANGLE	SHEET#	DWG NO.	DATE	REV
	1 of 1	55-206785	03/21	03