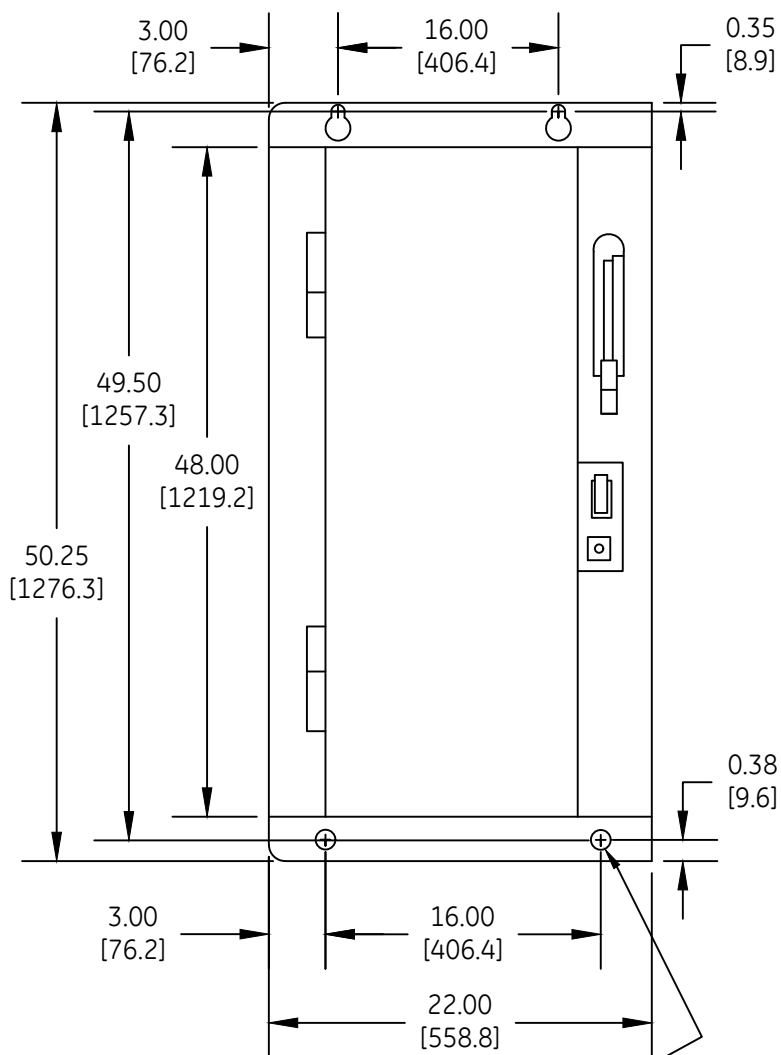


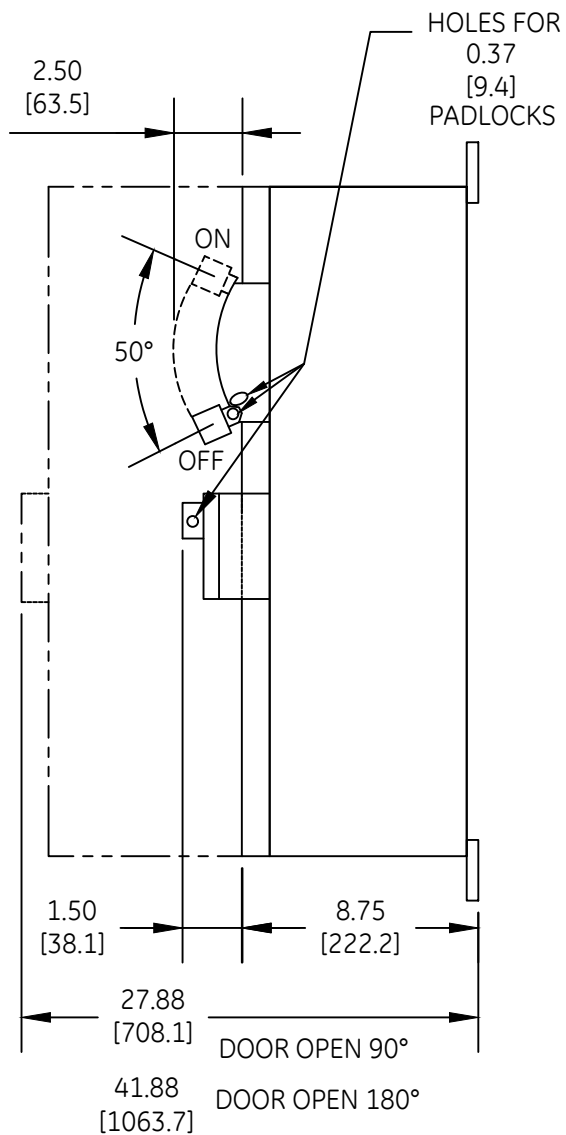
DUAL DIMENSIONS

INCHES
[MILLIMETERS]

(ESTIMATING ONLY)



4POINT MOUNTING
FOR 0.31 SCREWS
[7.9]



ABB

OUTLINE
TYPE 12 ENCLOSED

THIRD ANGLE	SHEET#	DWG NO.	DATE	REV
	1 of 1	55-206994	03/21	03