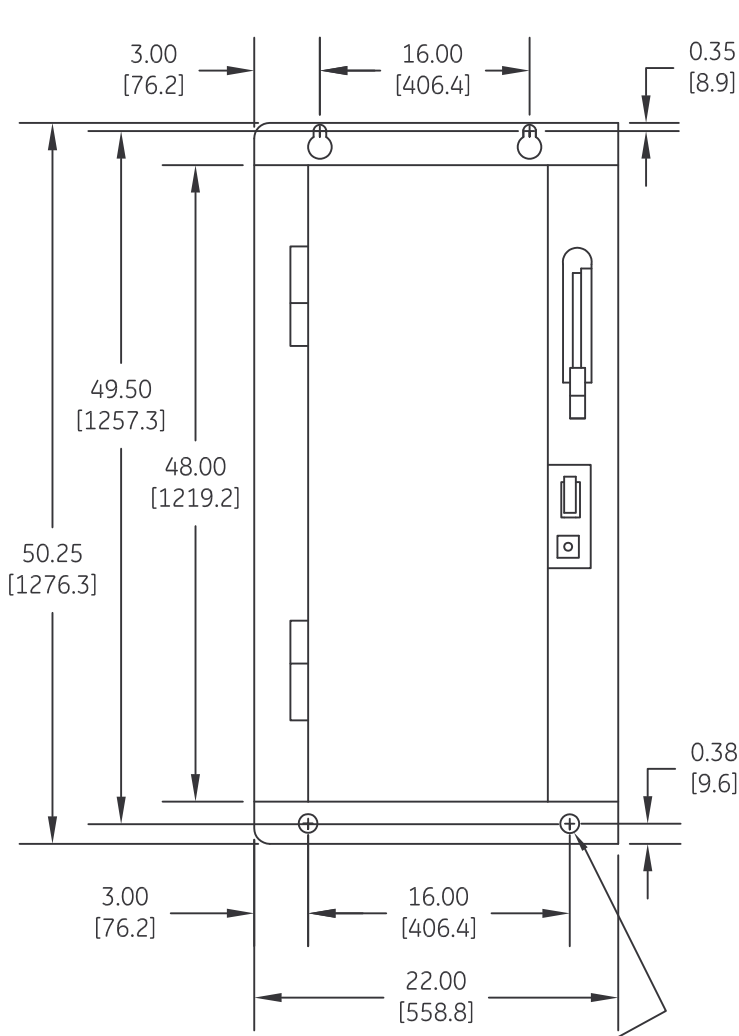
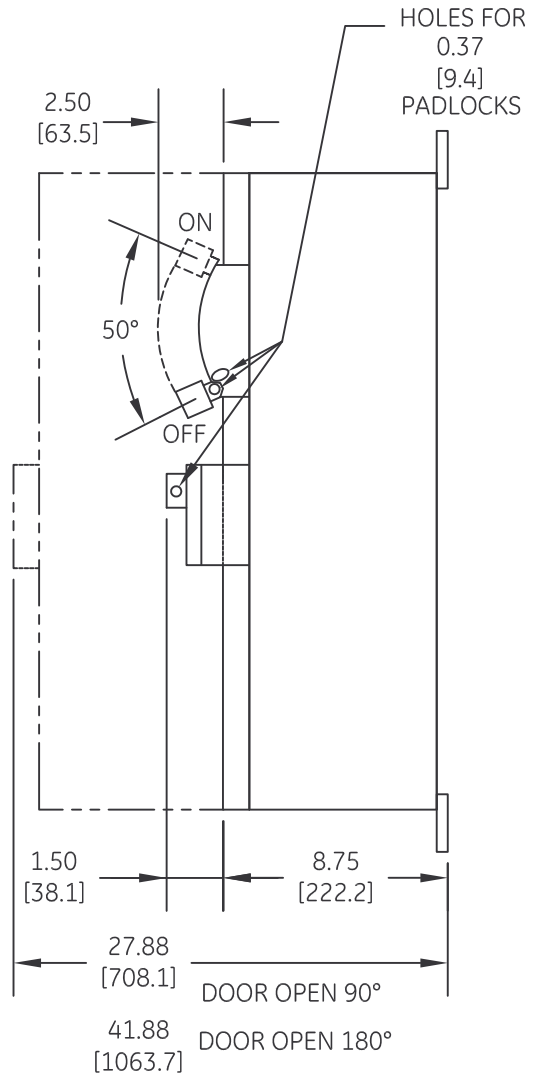



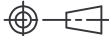
DUAL DIMENSIONS INCHES [MILLIMETERS] (ESTIMATING ONLY)



4POINT MOUNTING
FOR 0.31 SCREWS
[7.9]



 imagination at work		
OUTLINE TYPE 12 ENCLOSED		
DWG NO.	DATE	REV
55-206994	08/20/2009	1

AN #	THIRD ANGLE PROJECTION	SHEET #
09-9112		1 OF 1