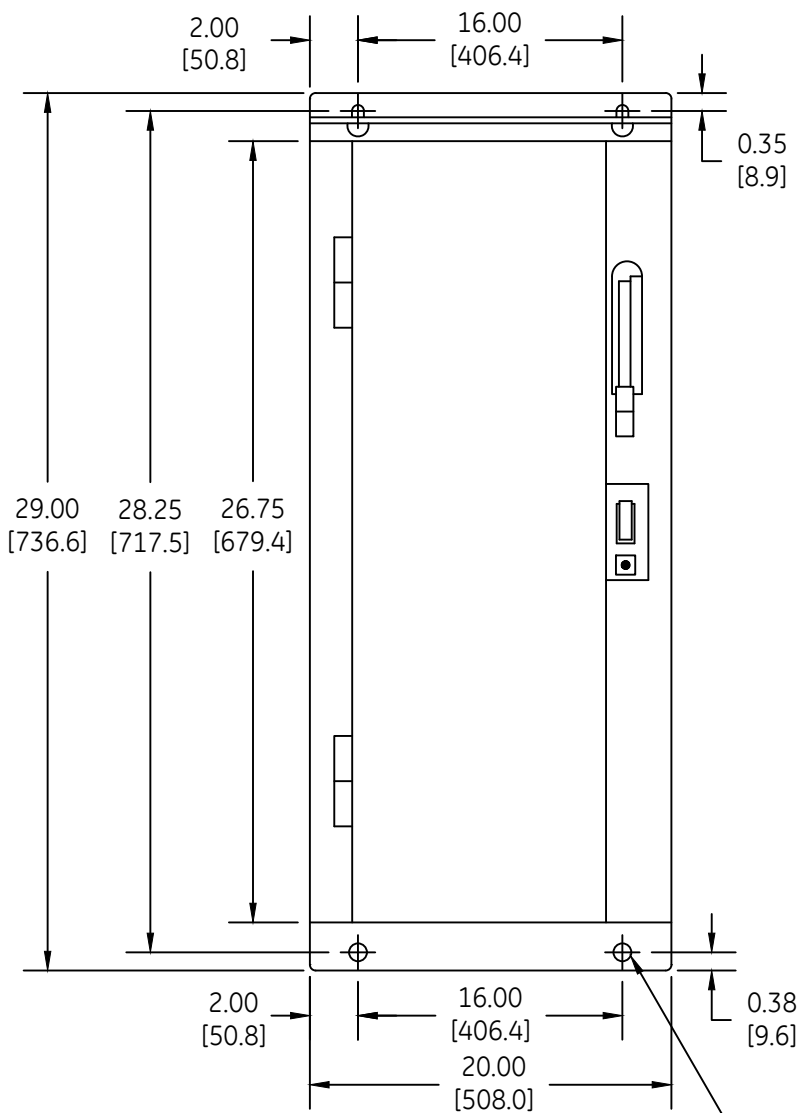


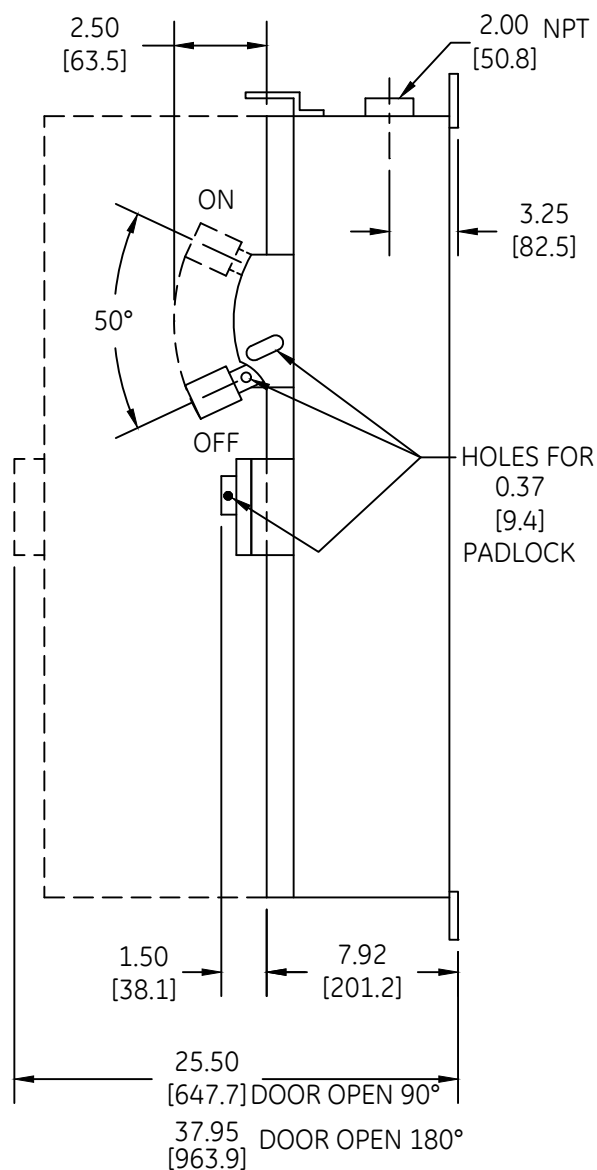
DUAL DIMENSIONS

INCHES
[MILLIMETERS]

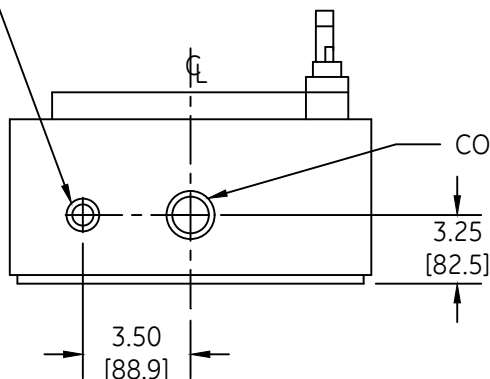
(ESTIMATING ONLY)



FOUR POINT MTG.
FOR 5/16 SCREWS



COMB. KO FOR 0.5 OR 0.75 CONDUIT
[12.7] [19.0]



COMB. KO FOR 2.00 OR 2.50 CONDUIT
[50.8] [63.5]



OUTLINE
TYPE 3R ENCLOSED

THIRD ANGLE	SHEET#	DWG NO.	DATE	REV
	1 of 1	55-209056	03/21	04