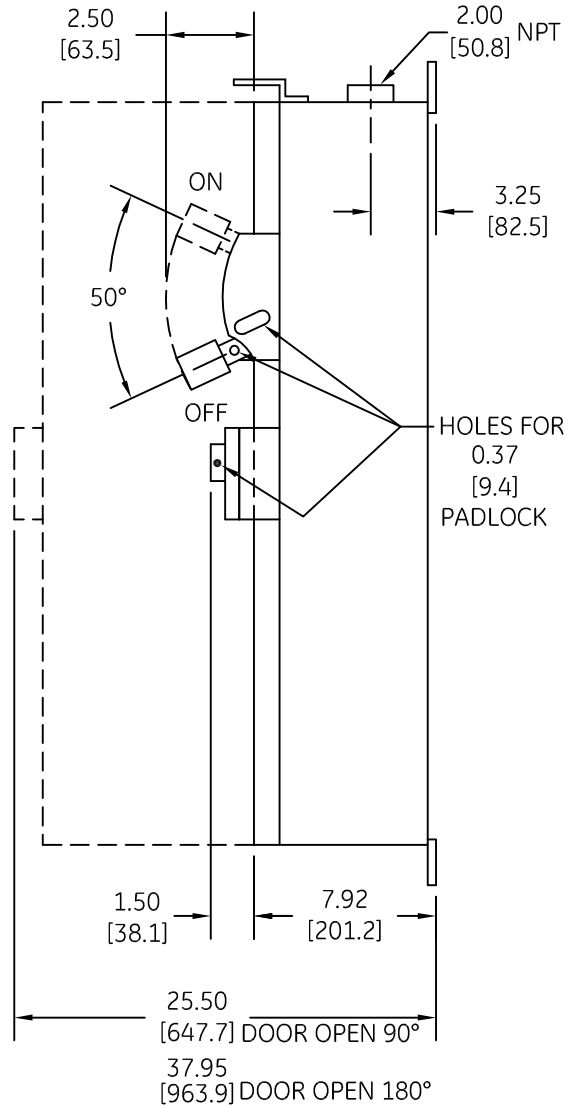
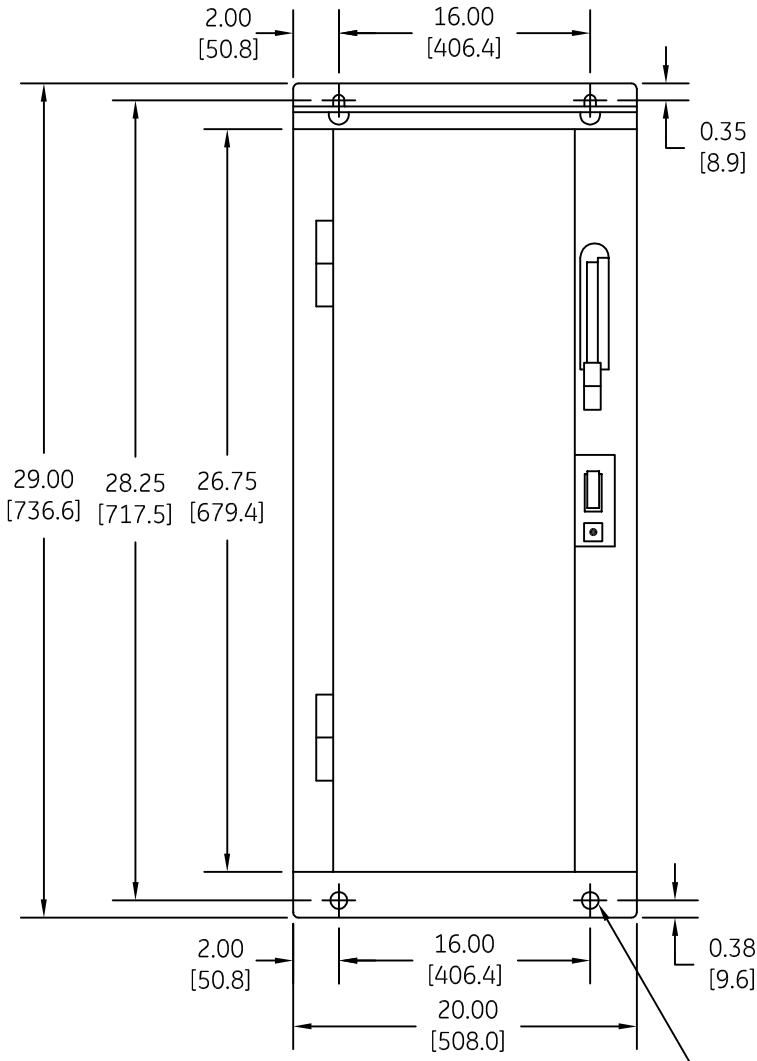
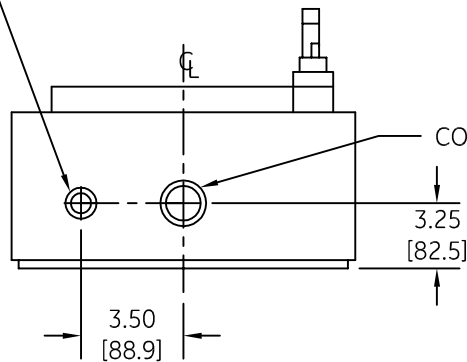


DUAL DIMENSIONS INCHES [MILLIMETERS] (ESTIMATING ONLY)




FOUR POINT MTG. FOR 5/16 SCREWS

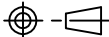
COMB. KO FOR 0.5 OR 0.75 CONDUIT [12.7] [19.0]



COMB. KO FOR 2.00 OR 2.50 CONDUIT [50.8] [63.5]

 imagination at work
OUTLINE
TYPE 3R ENCLOSED

DWG NO.	DATE	REV
55-209056	08/21/2009	2

AN #	THIRD ANGLE PROJECTION	SHEET #
09-9112		1 OF 1