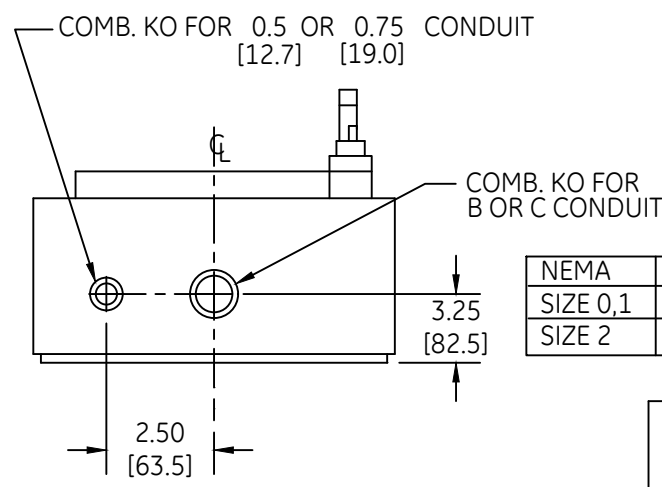
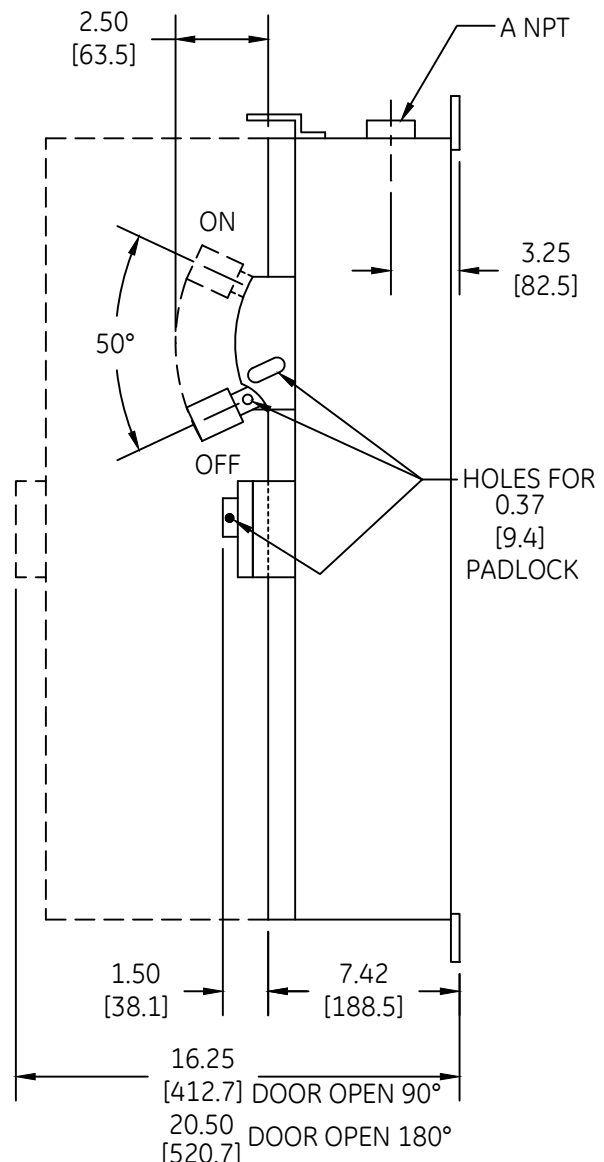
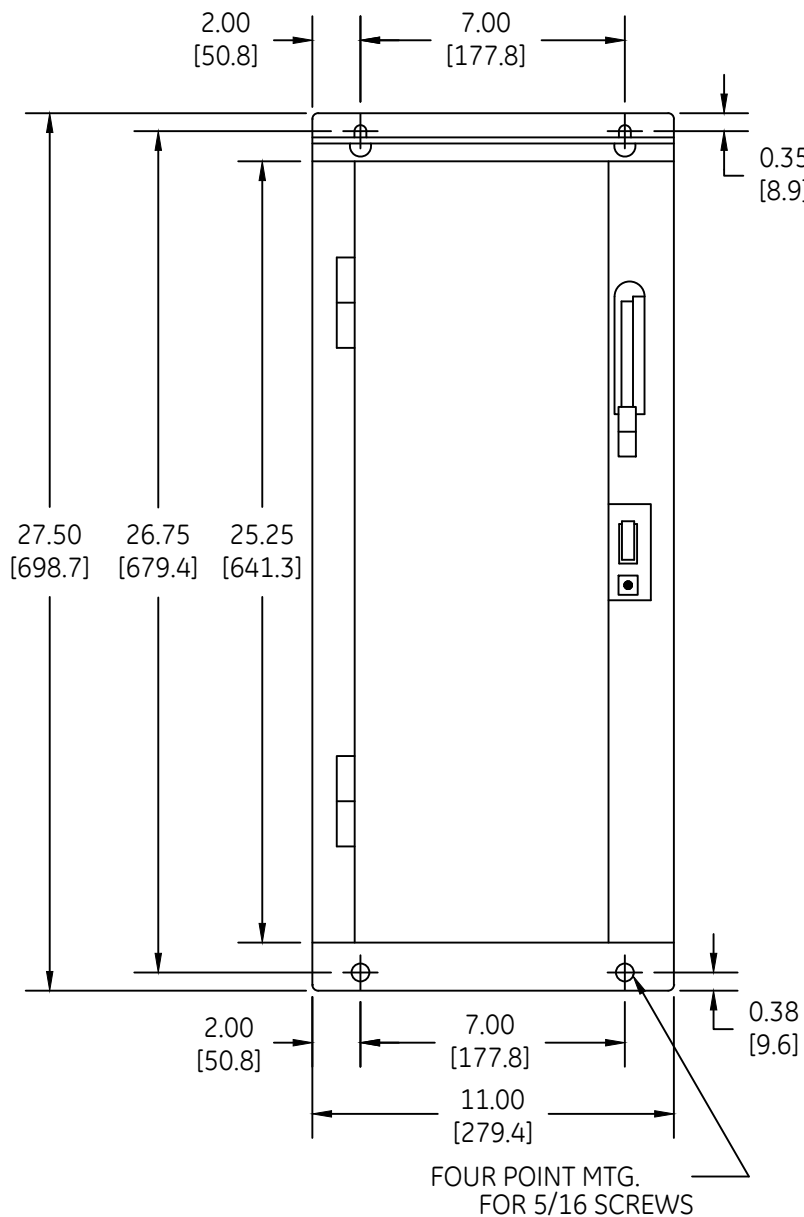


DUAL DIMENSIONS INCHES [MILLIMETERS] (ESTIMATING ONLY)



NEMA	CR	A	B	C
SIZE 0,1	307B,C 308B,C 387B,C	1.00	0.75	1.00
SIZE 2	307D 308D 387D	1.50	1.25	1.50



OUTLINE
TYPE 3R ENCLOSED

THIRD ANGLE	SHEET#	DWG NO.	DATE	REV
	1 of 1	55-209066	03/21	06