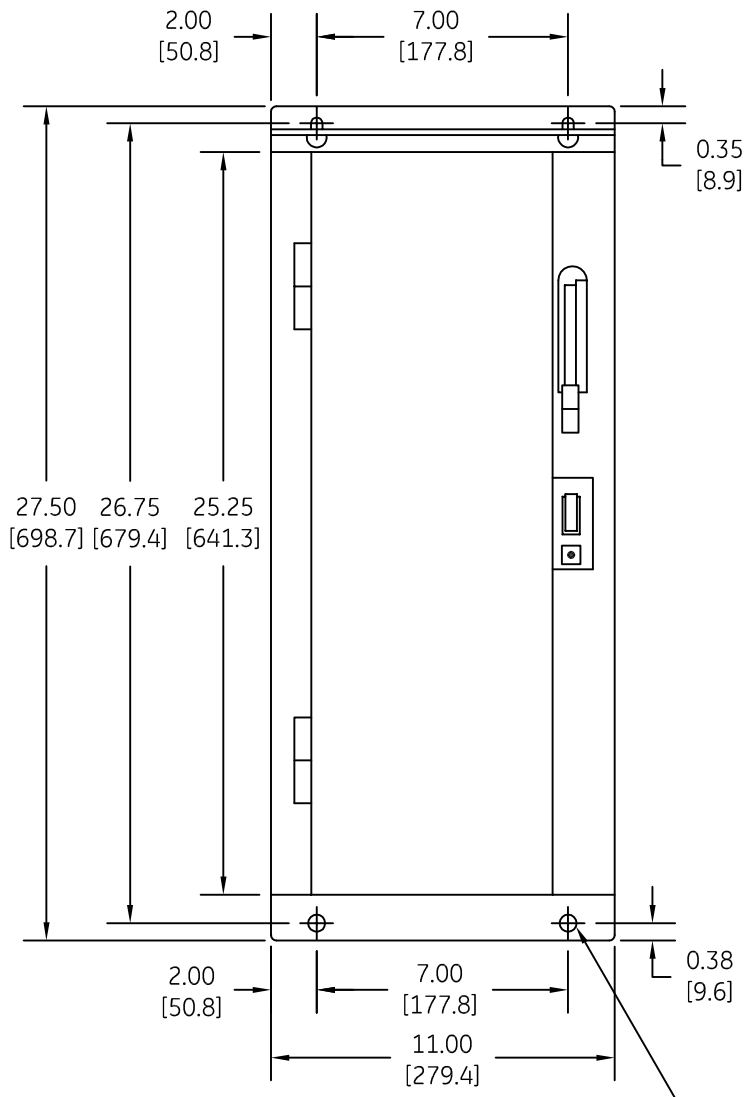
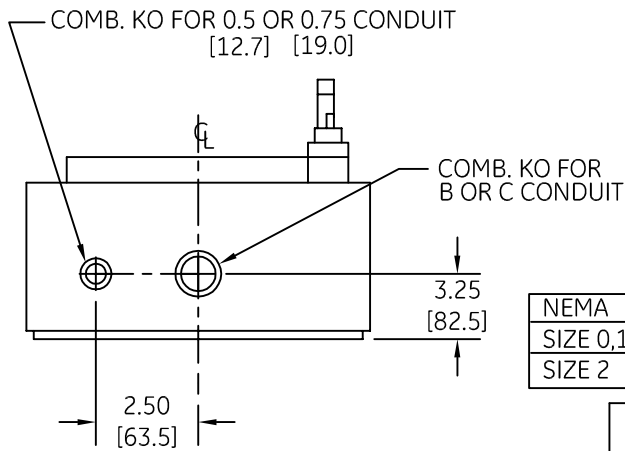
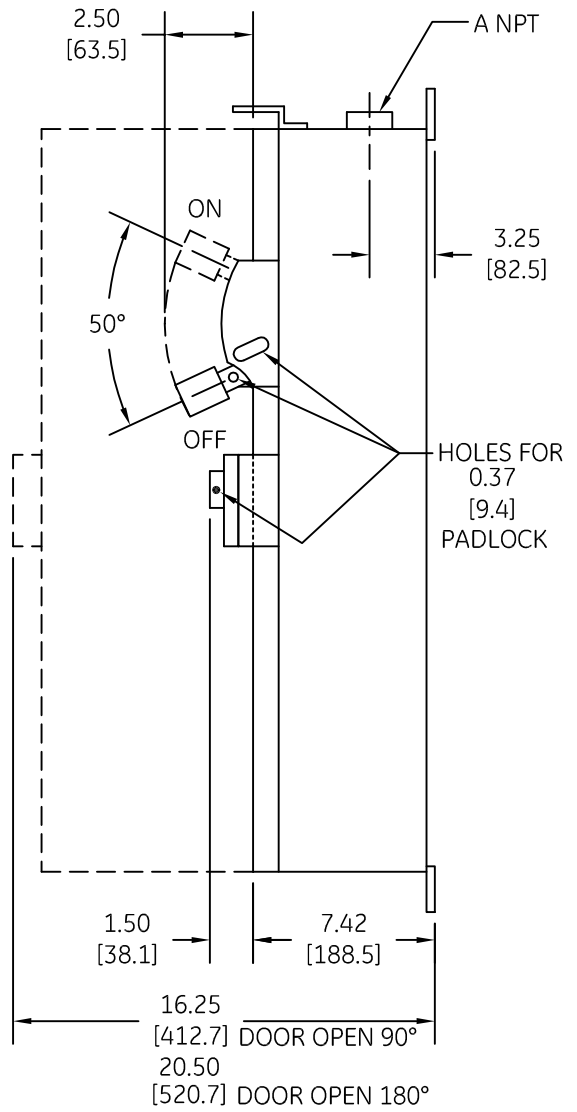


DUAL DIMENSIONS INCHES [MILLIMETERS] (ESTIMATING ONLY)



FOUR POINT MTG. FOR 5/16 SCREWS



NEMA	CR	A	B	C
SIZE 0,1	307B,C 308B,C 387B,C	1.00	0.75	1.00
SIZE 2	307D 308D 387D	1.50	1.25	1.50



imagination at work

OUTLINE
TYPE 3R ENCLOSED

AN #	THIRD ANGLE PROJECTION	SHEET #
09-9112		1 OF 1

DWG NO.	DATE	REV
55-209066	08/21/2009	4