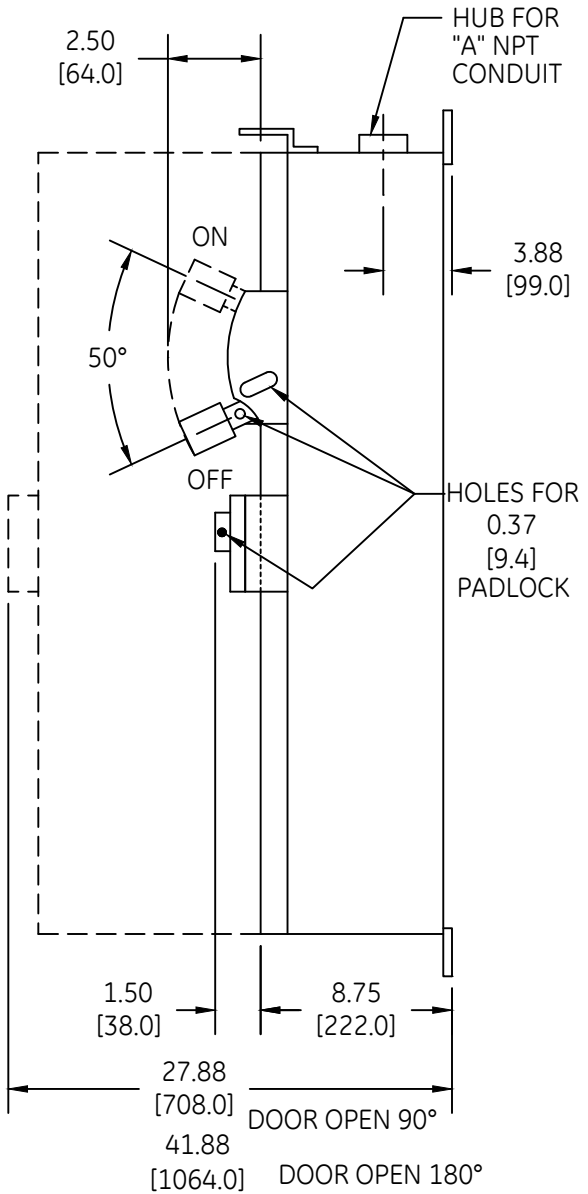
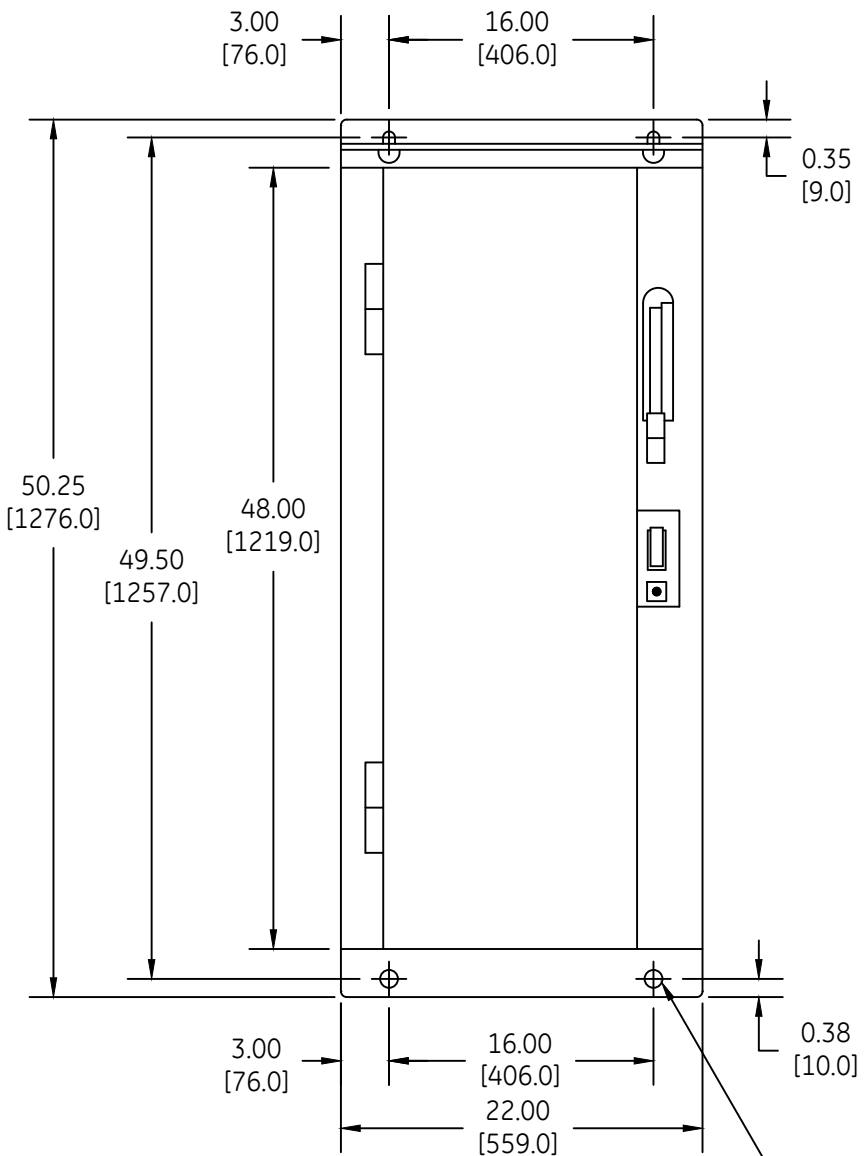
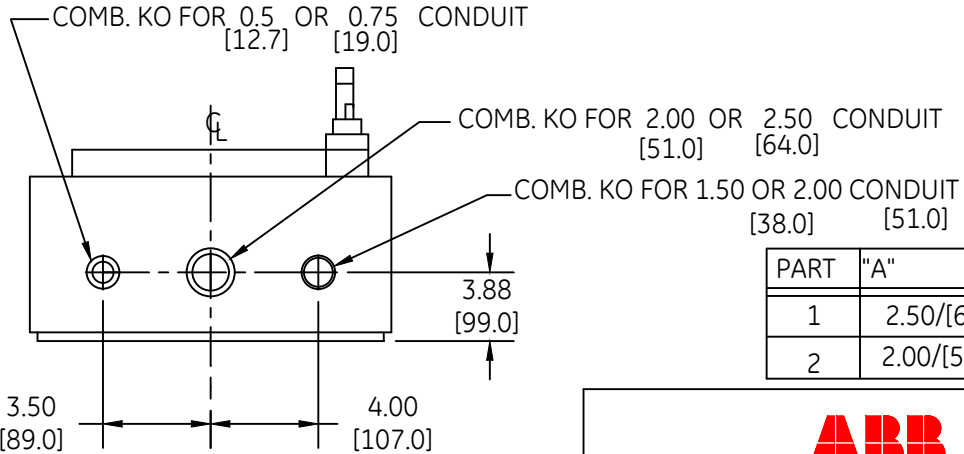


DUAL DIMENSIONS INCHES [MILLIMETERS] (ESTIMATING ONLY)



FOUR POINT MTG. FOR 5/16 SCREWS



PART	"A"
1	2.50/[64.0]
2	2.00/[51.0]



OUTLINE TYPE 3R ENCLOSED

THIRD ANGLE	SHEET#	DWG NO.	DATE	REV
	1 of 1	55-209071	03/21	06