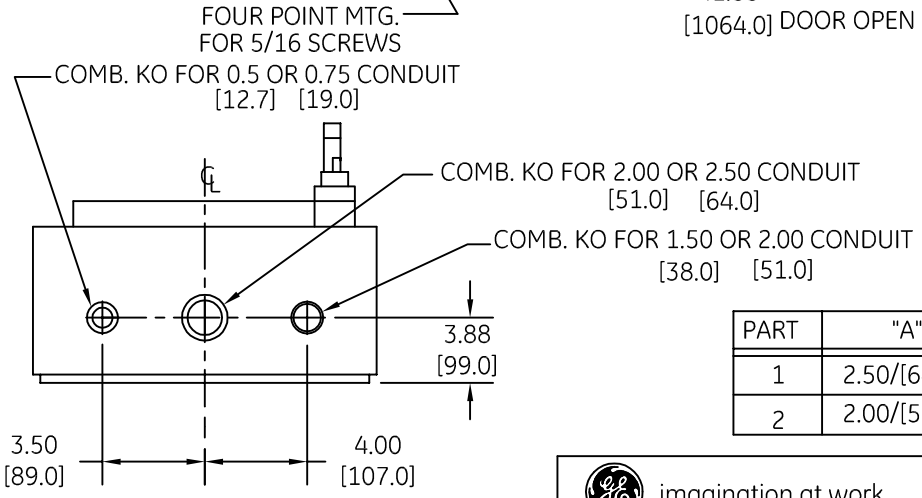
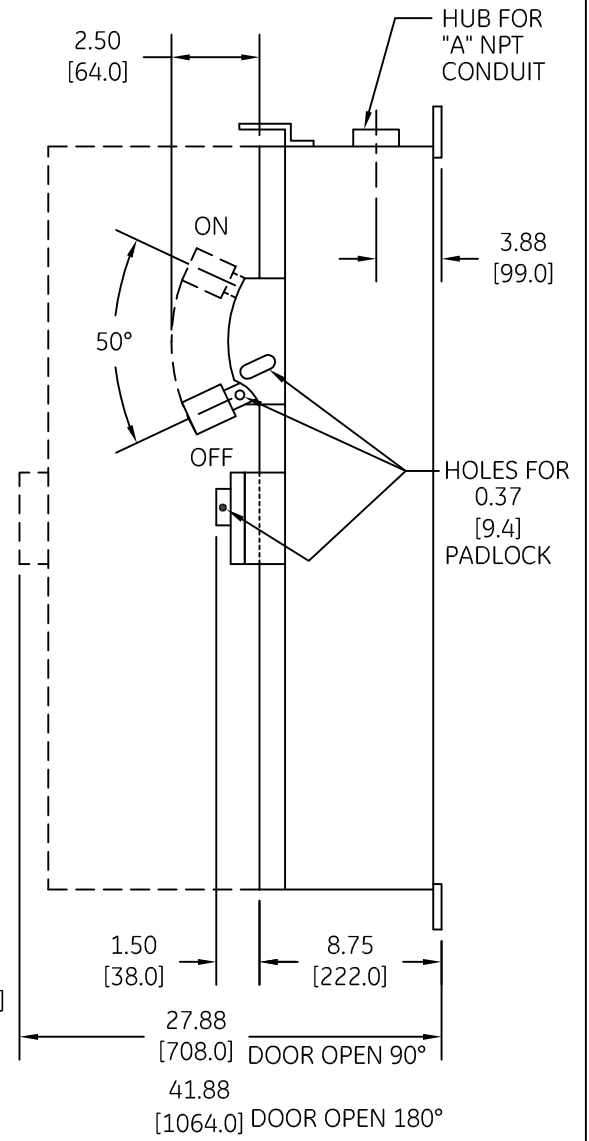
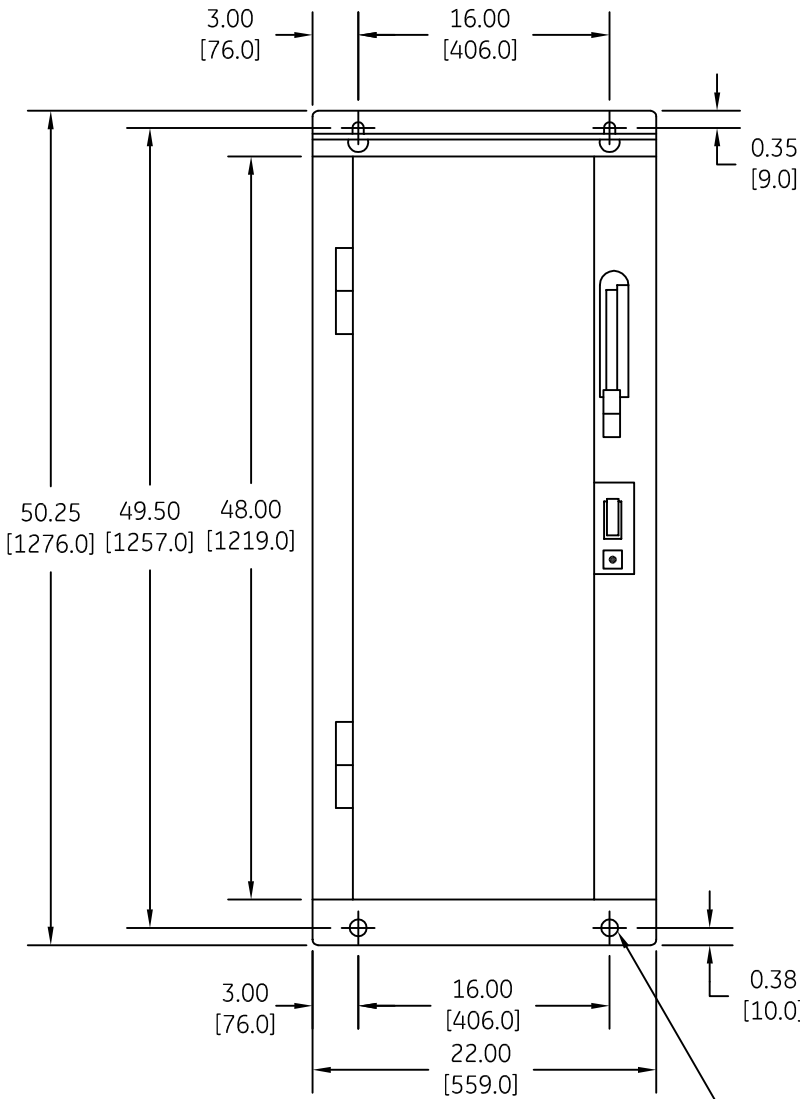


DUAL DIMENSIONS INCHES [MILLIMETERS] (ESTIMATING ONLY)



PART	"A"
1	2.50/[64.0]
2	2.00/[51.0]

imagination at work

OUTLINE
TYPE 3R ENCLOSED

DWG NO.	DATE	REV
55-209071	08/21/2009	4

AN #	THIRD ANGLE PROJECTION	SHEET #
09-9112		1 OF 1