

-NOMENCLATURE-

M-LINE CONTACTOR
 OL-OVERLOAD RELAY
 FCC-FUSED CONTROL CIRCUIT
 R & G - RED & GREEN INDICATING LIGHTS
 FU-FUSE

FOR 1-PHASE OPERATION USING
 • SOLID STATE OVERLOAD RELAY
 SEE GEH-6430(sz 1,2) OR GEH-6431 (sz 3,4)
 • THERMAL OVERLOAD RELAY
 CHANGE CONNECTION WIRE "A" FROM L2 TO L3.
 CONNECT LINE TO L1 AND L3 AND LOAD TO T1 AND T3.

NOTE: FOR STARTER WITHOUT DISCONNECT MEANS.
 OMIT WIRING FROM CIRCUIT BREAKER OR DISCONNECT
 SWITCH TO STARTER AND WIRE LINE DIRECT TO L1,
 L2 AND L3 OF STARTER.

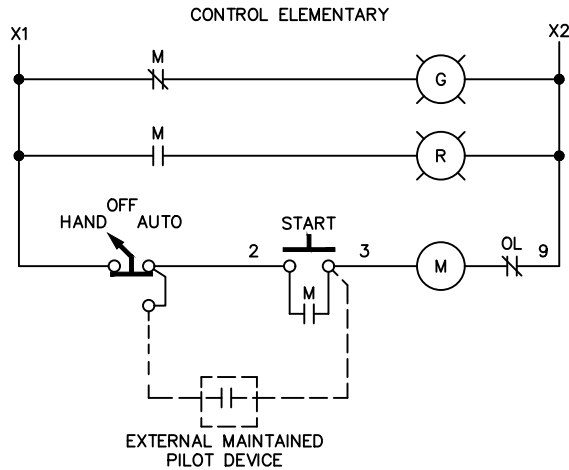
NOTE: ADDITIONAL OVER-CURRENT PROTECTION
 MAY BE REQUIRED. REFER TO THE
 NATIONAL ELECTRICAL CODE OR LOCAL
 ELECTRICAL CODE AS REQUIRED.

FOR EXTRA AUXILIARY CONTACTS- A MAXIMUM OF 3
 CONTACTS MAY BE ADDED AT POSITIONS
 T,U,W,& Z.

USE 75°C COPPER CONDUCTORS ONLY, FOR FIELD WIRING. TORQUE LINE AND LOAD TERMINALS AS MARKED OR AS SHOWN AT RIGHT:		LINE	LOAD
	CR306	20 LB-IN	20 LB-IN
	CR307	AS MARKED	20 LB-IN
	CR308	35 LB-IN	20 LB-IN
	CR387	AS MARKED	20 LB-IN

GROUND KIT

1/2-IN CONDUIT	55-213403G001
3/4-IN CONDUIT	55-213403G002
1-IN CONDUIT	55-213403G003
1 1/4-IN CONDUIT	55-213403G004
1 1/2-IN CONDUIT	55-213403G005
2-IN CONDUIT	55-213403G006
2 1/2-IN CONDUIT	55-213403G007
3-IN CONDUIT	55-213403G008



ABB

WIRING DIAGRAM
 FVNR SIZE 00, 0 & 1

THIRD ANGLE	SHEET#	DWG NO.	DATE	REV
	1 of 1	55-209539	02/21	04