

**-NOMENCLATURE-**

- M-LINE CONTACTOR
- OL-OVERLOAD RELAY
- FCC-FUSED CONTROL CIRCUIT
- R & G - RED & GREEN INDICATING LIGHTS
- FU-FUSE

ALTERNATE LEGEND FOR HAND-OFF-AUTO IS TEST-OFF-AUTO

**FOR 1-PHASE OPERATION USING**

- SOLID STATE OVERLOAD RELAY  
SEE GEH-6430(sz 1,2) OR GEH-6431 (sz 3,4)
- THERMAL OVERLOAD RELAY  
CHANGE CONNECTION WIRE "A" FROM L2 TO L3.  
CONNECT LINE TO L1 AND L3 AND LOAD TO T1 AND T3.

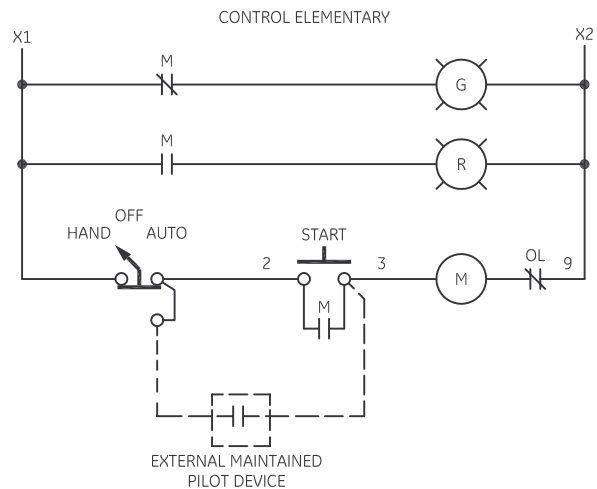
NOTE: FOR STARTER WITHOUT DISCONNECTING MEANS. OMIT WIRING FROM CIRCUIT BREAKER OR DISCONNECT SWITCH TO STARTER AND WIRE LINE DIRECT TO L1, L2 AND L3 OF STARTER.

NOTE: ADDITIONAL OVER-CURRENT PROTECTION MAY BE REQUIRED. REFER TO THE NATIONAL ELECTRICAL CODE OR LOCAL ELECTRICAL CODE AS REQUIRED.

FOR EXTRA AUXILIARY CONTACTS- A MAXIMUM OF 3 CONTACTS MAY BE ADDED AT POSITIONS T,U,W.& Z.

USE 75°C COPPER CONDUCTORS ONLY, FOR FIELD WIRING. TORQUE	LINE	LOAD
CR306	20 LB-IN	20 LB-IN
CR307	AS MARKED	20 LB-IN
CR308	35 LB-IN	20 LB-IN
CR387	AS MARKED	20 LB-IN

GROUND KIT	
1/2-IN CONDUIT	55-213403G001
3/4-IN CONDUIT	55-213403G002
1-IN CONDUIT	55-213403G003
1 1/4-IN CONDUIT	55-213403G004
1 1/2-IN CONDUIT	55-213403G005
2-IN CONDUIT	55-213403G006
2 1/2-IN CONDUIT	55-213403G007
3-IN CONDUIT	55-213403G008



**WIRING DIAGRAM  
FVNR SIZE 00, 0 & 1**

AN #	THIRD ANGLE PROJECTION	SHEET #	DWG NO.	DATE	REV
09-9111		1 OF 1	55-209539	08/07/2009	2