

—NOMENCLATURE—
M—LINE CONTACTOR
OL—OVERLOAD RELAY
I—INDICATING LIGHTS
FU—FUSE
X—INDICATES CONTACT CLOSED

CONDUCTORS ONLY,	CR306	20 LB-IN	20 LB-IN
USE 75°C COPPER			
CONDUCTORS ONLY, FOR	CR307	AS MARKED	20 LB-IN
FIELD WIRING, TORQUE	CR308	35 LB-IN	20 LB-IN
LINE AND LOAD TERMINALS	CR387	AS MARKED	20 LB-IN
AS SHOWN AT RIGHT:			

NOTE: ADDITIONAL OVER-CURRENT PROTECTION MAY BE REQUIRED. REFER TO THE NATIONAL ELECTRICAL CODE OR LOCAL ELECTRICAL CODE AS REQUIRED.

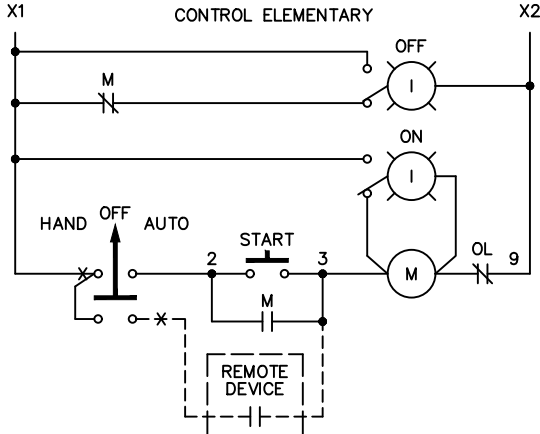
FOR 1-PHASE OPERATION USING
• SOLID STATE OVERLOAD RELAY
SEE GEH-6430(sz 1,2) OR GEH-6431 (sz 3,4)
• THERMAL OVERLOAD RELAY
CHANGE CONNECTION WIRE "A" FROM L2 TO L3.
CONNECT LINE TO L1 AND L3 AND LOAD TO T1 AND T3.

FOR STARTER WITHOUT DISCONNECT MEANS—WIRE LINE DIRECT TO L1, L2 AND L3 ON STARTER.

FOR EXTRA AUXILIARY CONTACTS — A MAXIMUM OF 2 CONTACTS MAY BE ADDED AT POSITIONS T,U,W & Z.

GROUND KIT

1/2-IN CONDUIT	55-213403G001
3/4-IN CONDUIT	55-213403G002
1-IN CONDUIT	55-213403G003
1 1/4-IN CONDUIT	55-213403G004
1 1/2-IN CONDUIT	55-213403G005
2-IN CONDUIT	55-213403G006
2 1/2-IN CONDUIT	55-213403G007
3-IN CONDUIT	55-213403G008



WIRING DIAGRAM
FVNR SIZE 00, 0 & 1

THIRD ANGLE	SHEET#	DWG NO.	DATE	REV
	1 of 1	55-209573	02/21	04