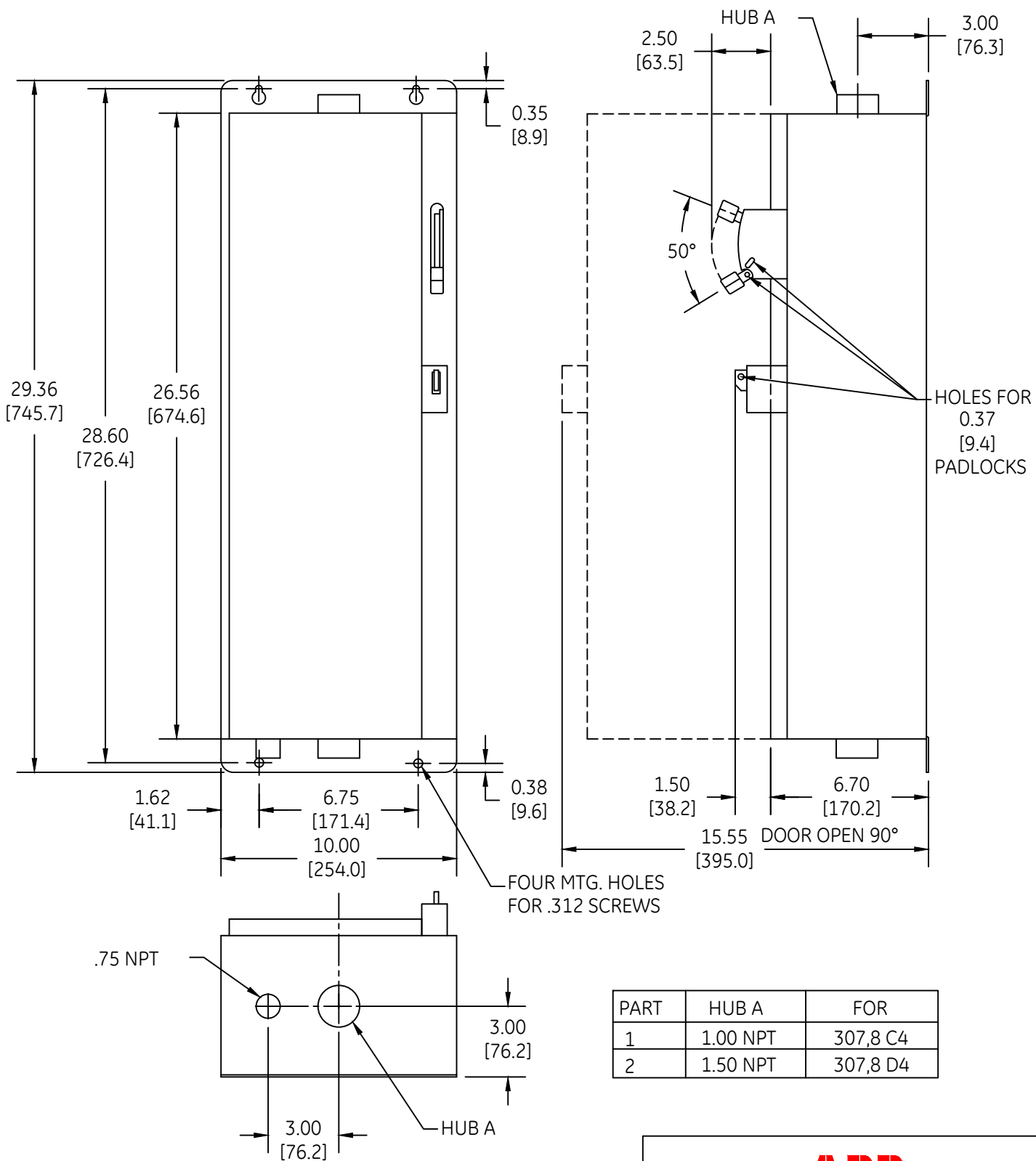


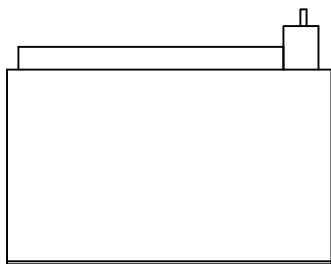
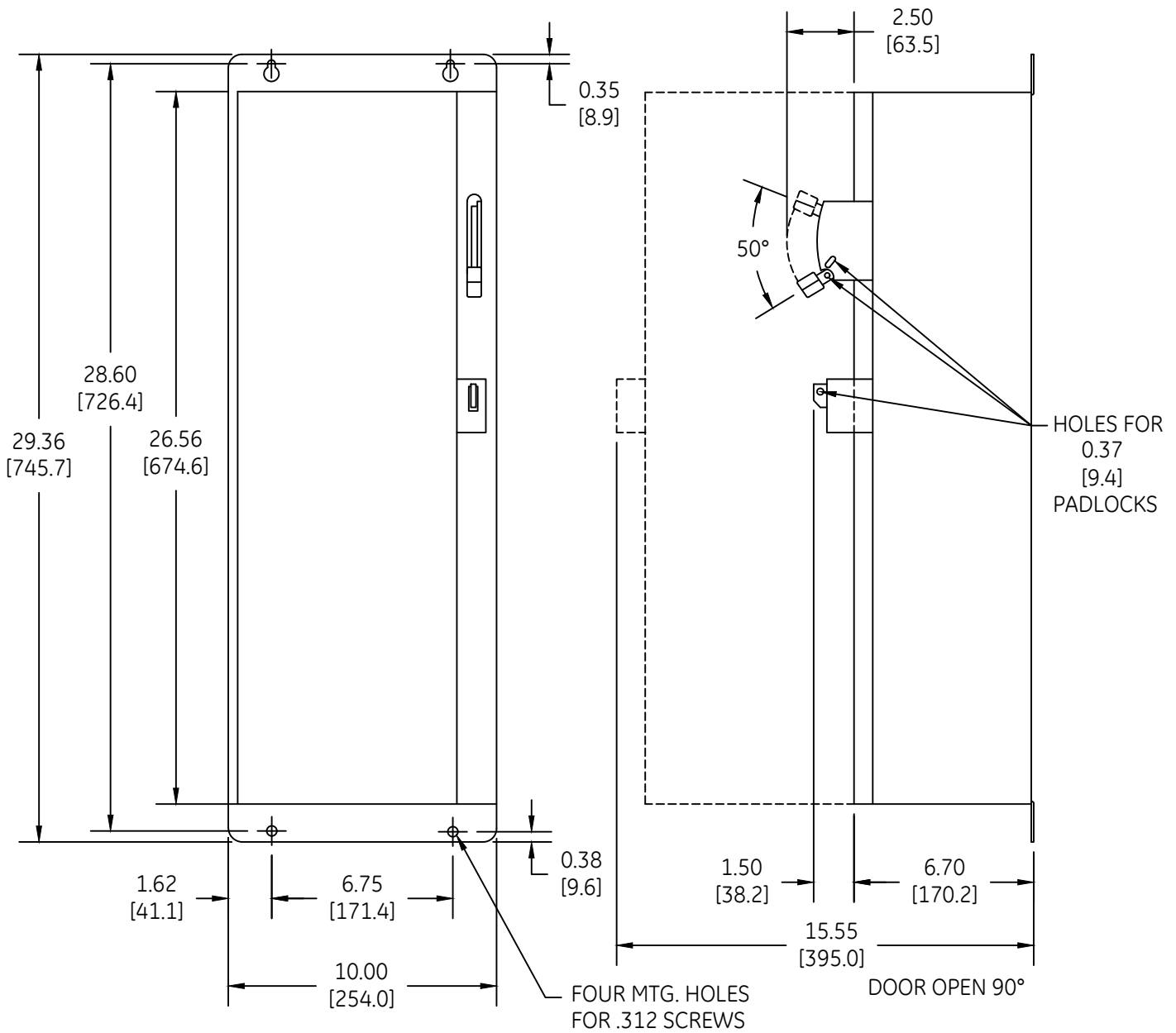
DUAL DIMENSIONS INCHES (ESTIMATING ONLY)
[MILLIMETERS]



OUTLINE
TYPE 4 / 4X ENCLOSED

THIRD ANGLE	SHEET#	DWG NO.	DATE	REV
	1 of 2	55-209702	03/21	08

DUAL DIMENSIONS INCHES (ESTIMATING ONLY)
[MILLIMETERS]



P3

ABB

OUTLINE
TYPE 4 / 4X ENCLOSED

THIRD ANGLE	SHEET#	DWG NO.	DATE	REV
	2 of 2	55-209702	03/21	08