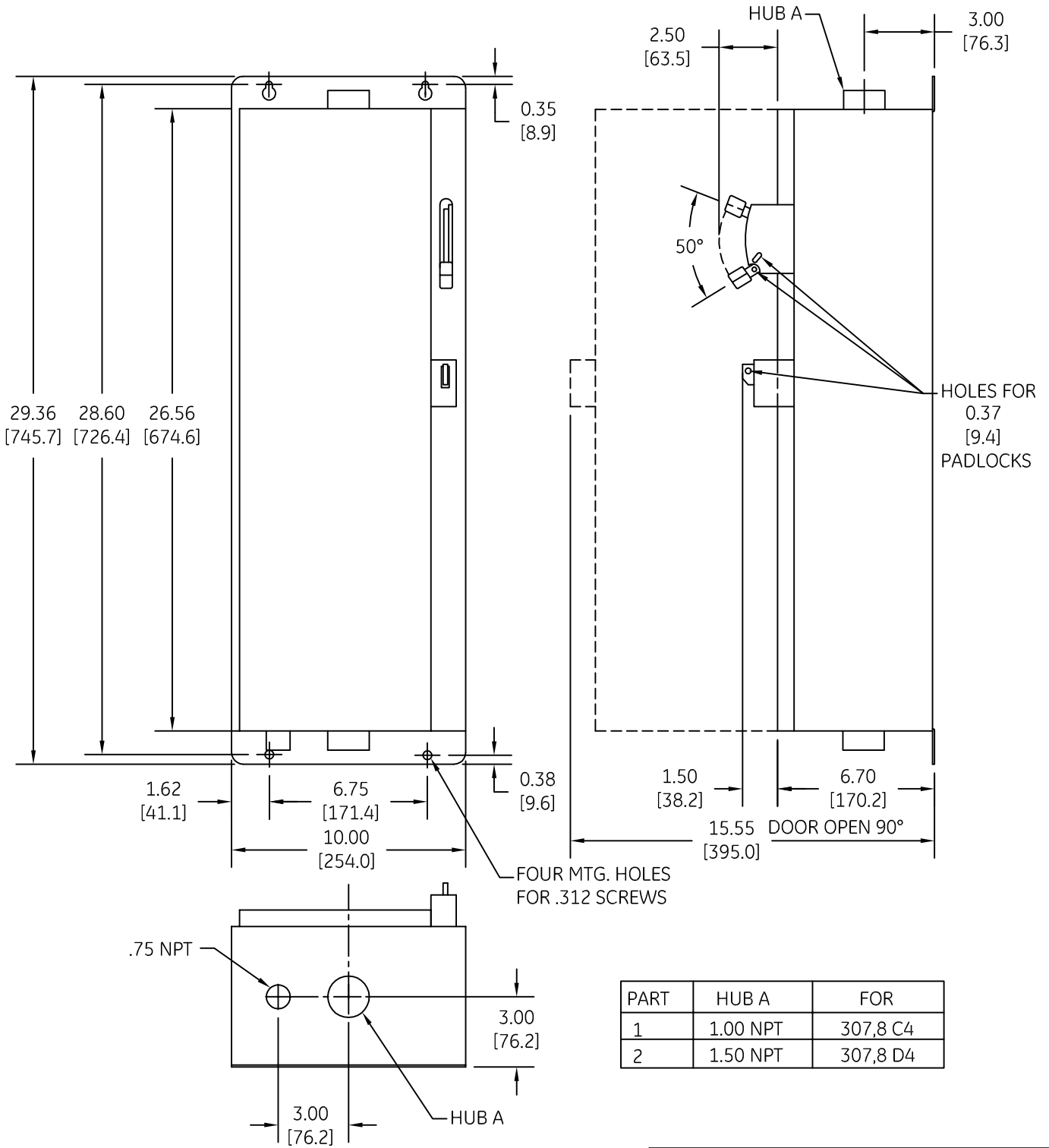



DUAL DIMENSIONS INCHES (ESTIMATING ONLY)
[MILLIMETERS]

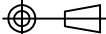


PART	HUB A	FOR
1	1.00 NPT	307,8 C4
2	1.50 NPT	307,8 D4

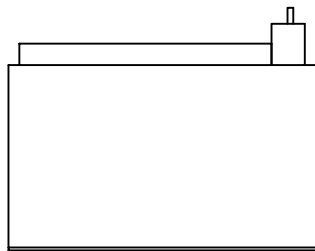
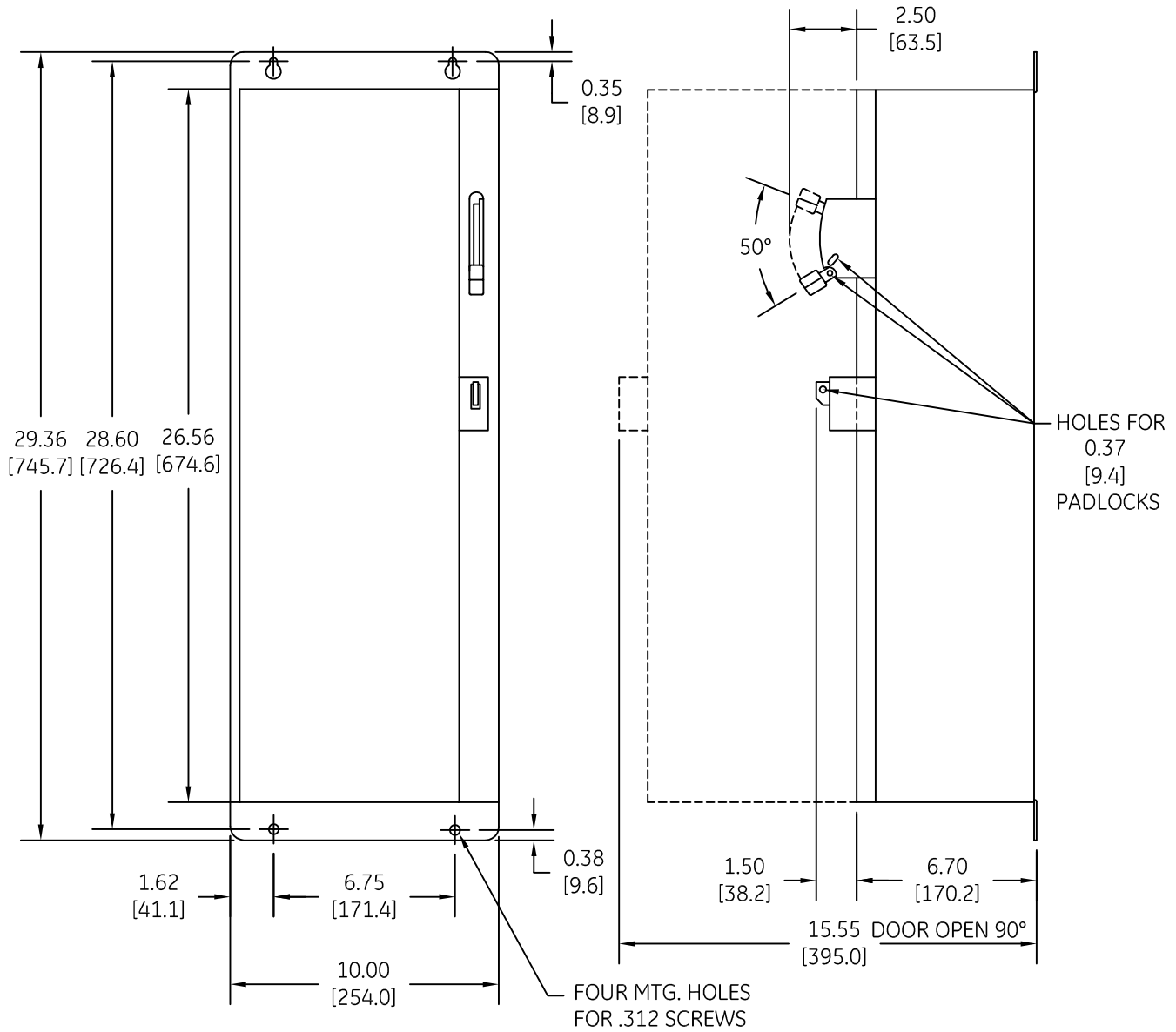
 imagination at work

OUTLINE
TYPE 4 / 4X ENCLOSED

DWG NO.	DATE	REV
55-209702	08/21/2009	6

AN #	THIRD ANGLE PROJECTION	SHEET #
09-9112		1 OF 2

DUAL DIMENSIONS INCHES (ESTIMATING ONLY)
[MILLIMETERS]



P3



imagination at work

OUTLINE
TYPE 4 / 4X ENCLOSED

AN #	THIRD ANGLE PROJECTION	SHEET #
09-9112		2 OF 2

DWG NO.	DATE	REV
55-209702	08/21/2009	2