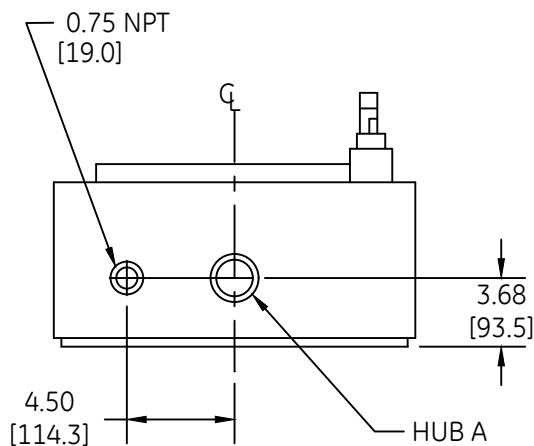
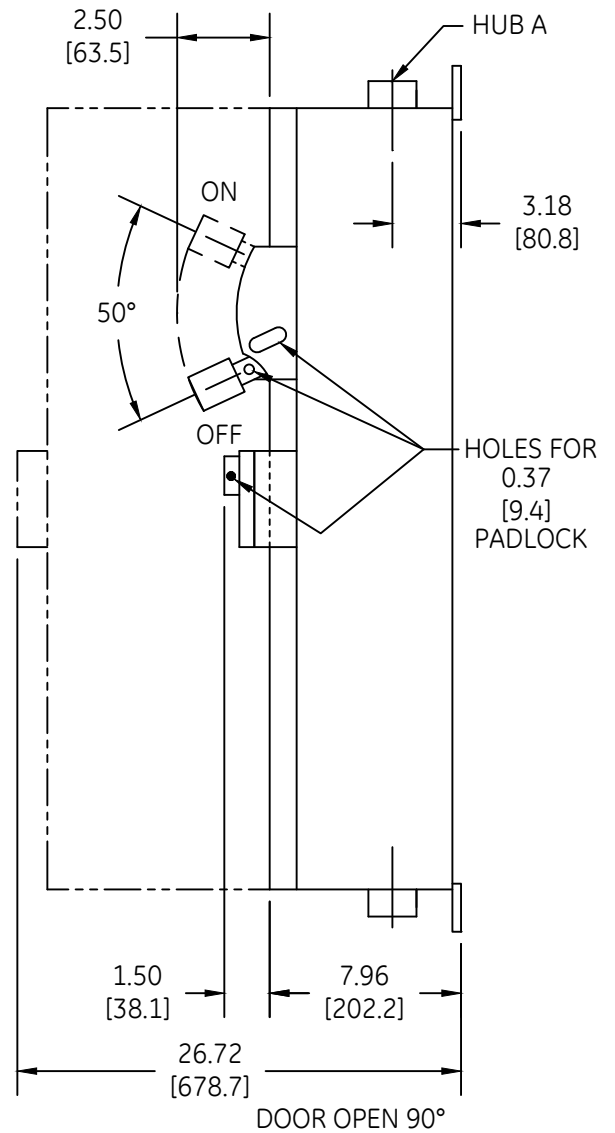
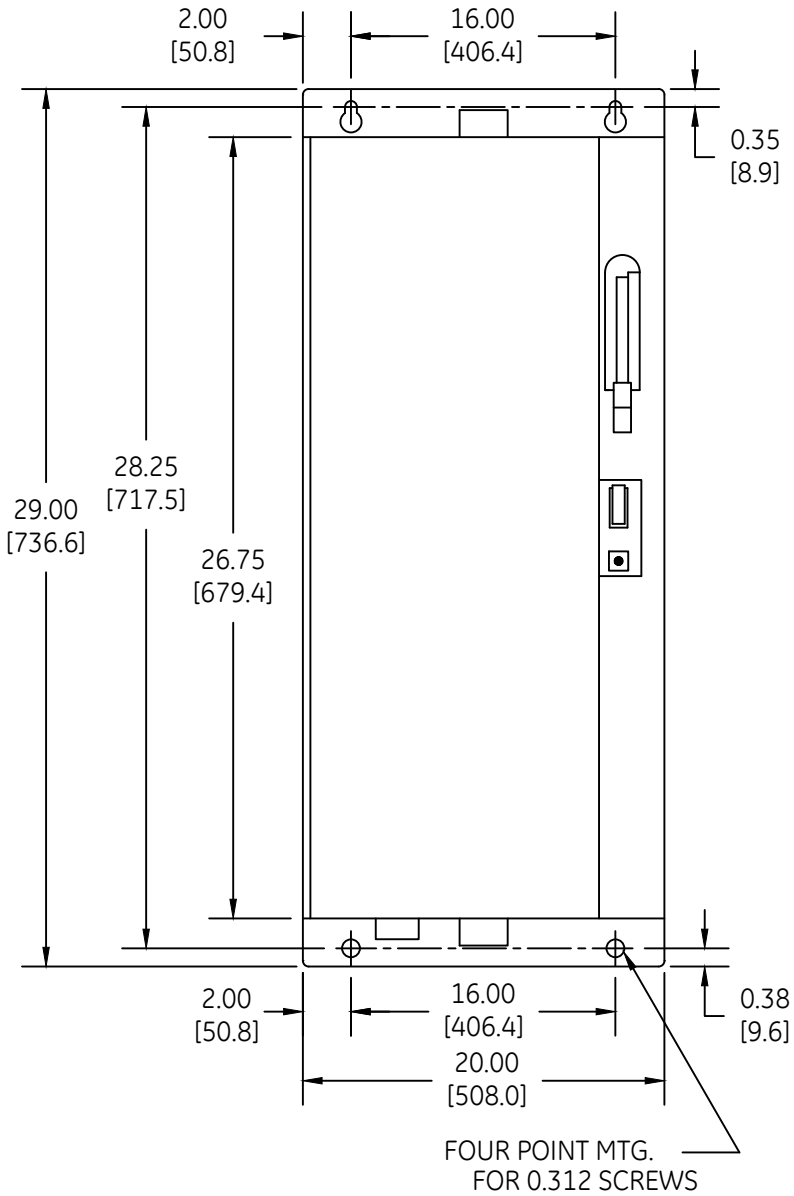


DUAL DIMENSIONS INCHES [MILLIMETERS] (ESTIMATING ONLY)



PART	HUB A	FOR
1	2.00 NPT	307,8 E4
2	2.50 NPT	307,8 F4



OUTLINE  
TYPE 4 / 4X ENCLOSED

THIRD ANGLE	SHEET#	DWG NO.	DATE	REV
	1 of 1	55-209703	03/21	06