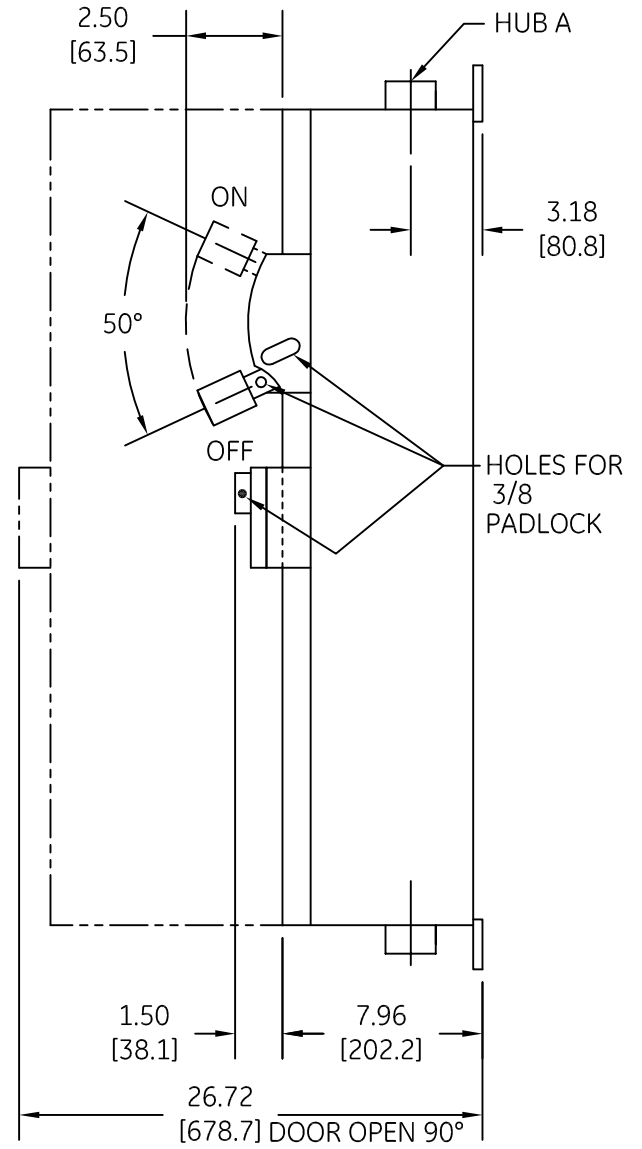
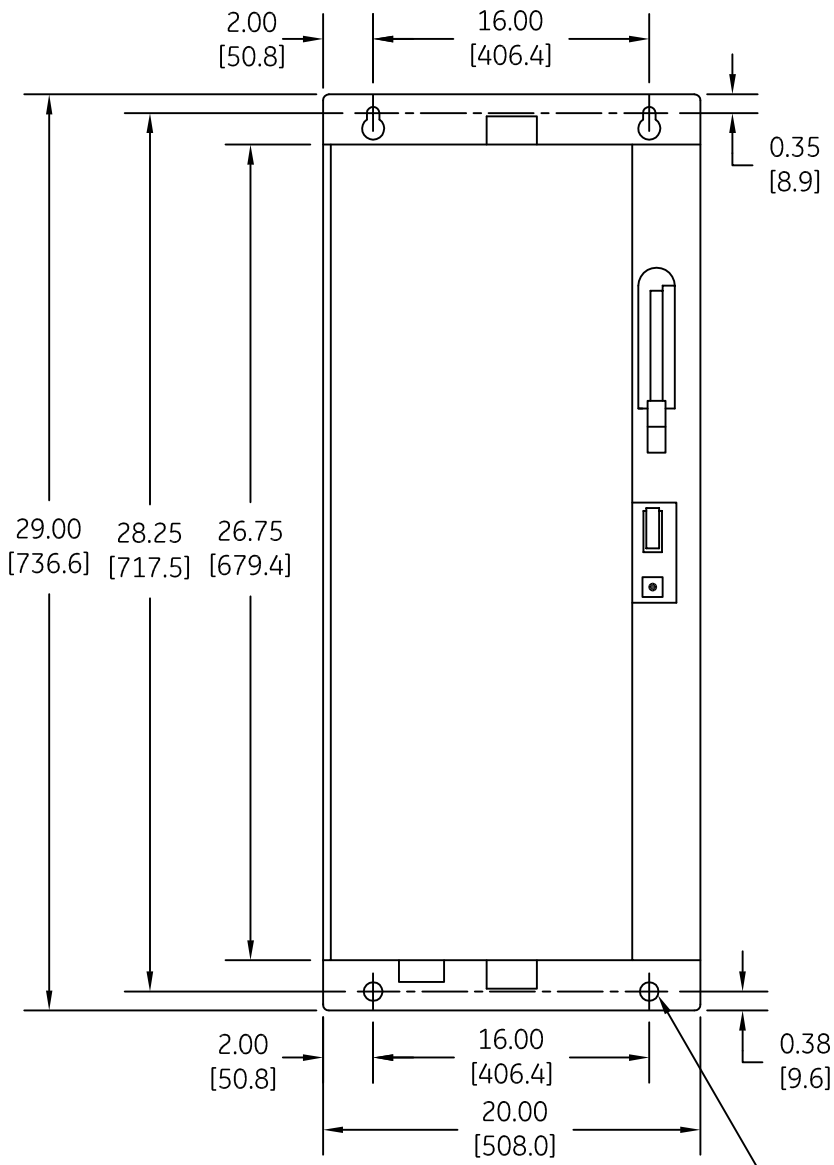
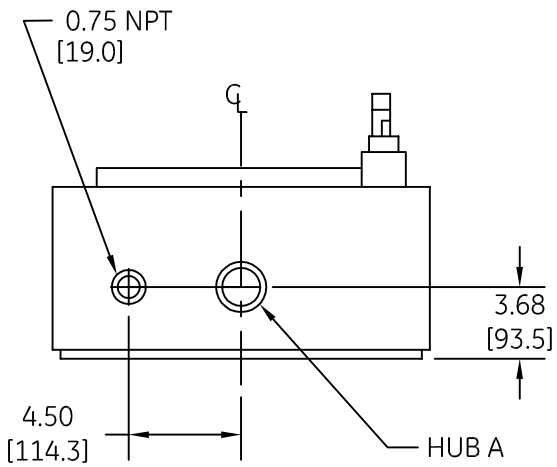



DUAL DIMENSIONS INCHES (ESTIMATING ONLY)  
[MILLIMETERS]



FOUR POINT MTG.  
FOR 0.312 SCREWS

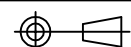


PART	HUB A	FOR
1	2.00 NPT	307,8 E4
2	2.50 NPT	307,8 F4

 imagination at work

OUTLINE  
TYPE 4 / 4X ENCLOSED

DWG NO.	DATE	REV
55-209703	08/21/2009	4

AN #	THIRD ANGLE PROJECTION	SHEET #
09-9112		1 OF 1