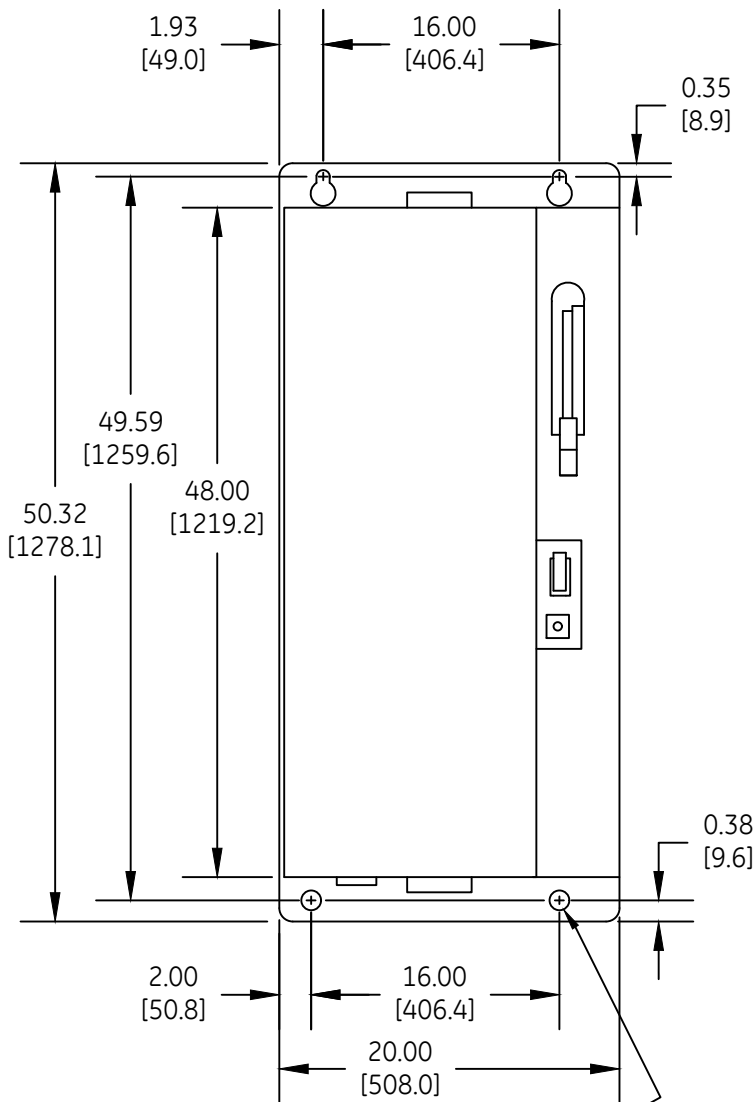
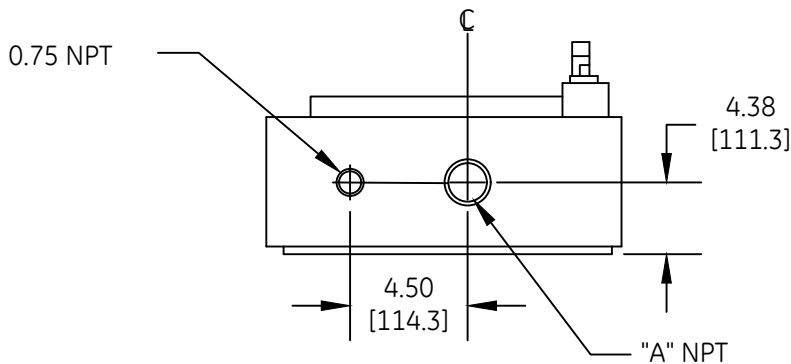
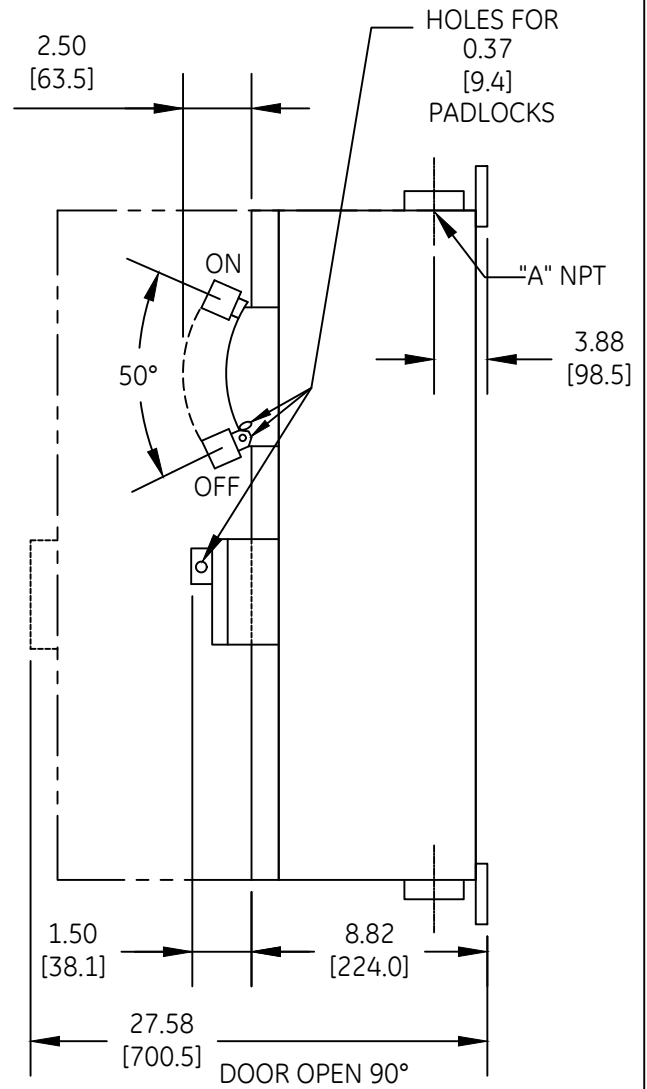


DUAL DIMENSIONS INCHES [MILLIMETERS] (ESTIMATING ONLY)



4PT.MOUNTING
[0.344 DIA.]
[8.74]



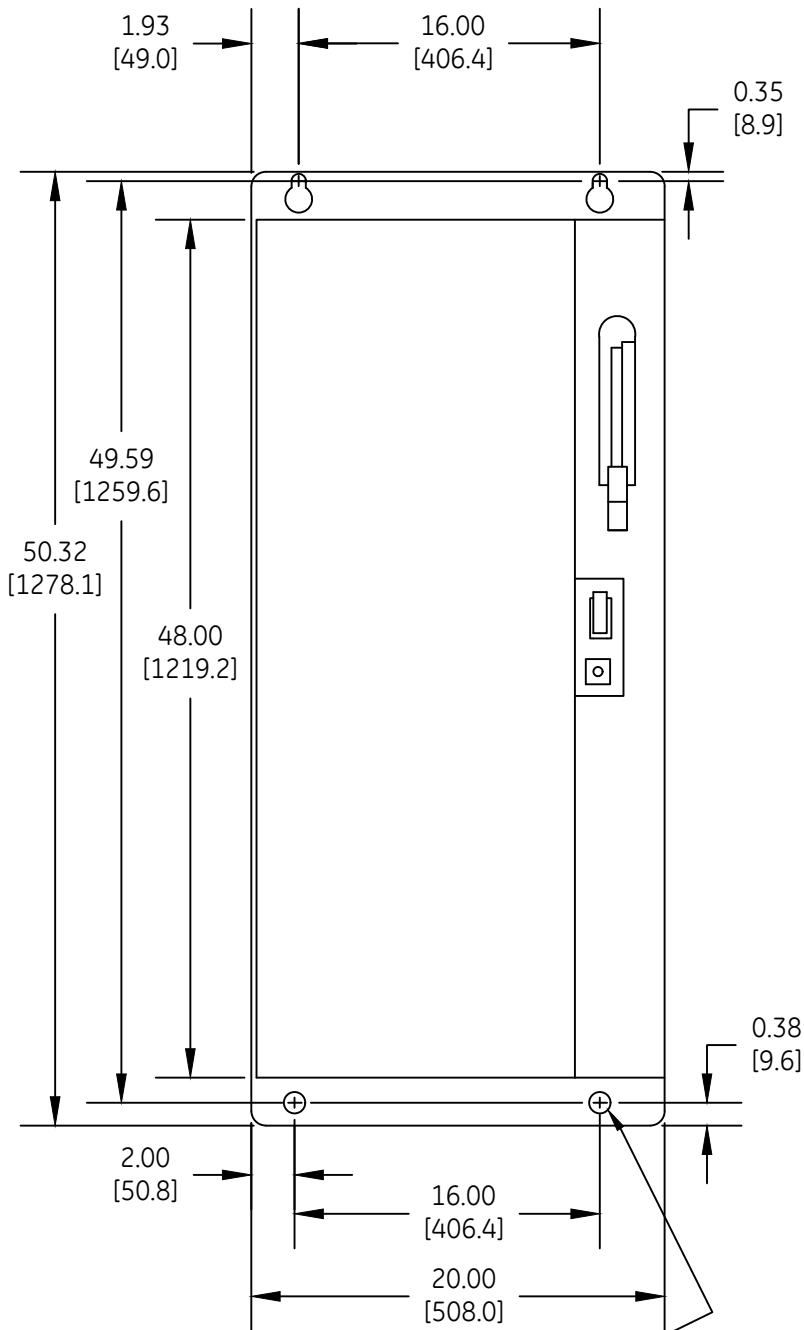
PART	"A"	FOR
1	2.50"	SIZE 4
2	2.00"	SIZE 3

ABB

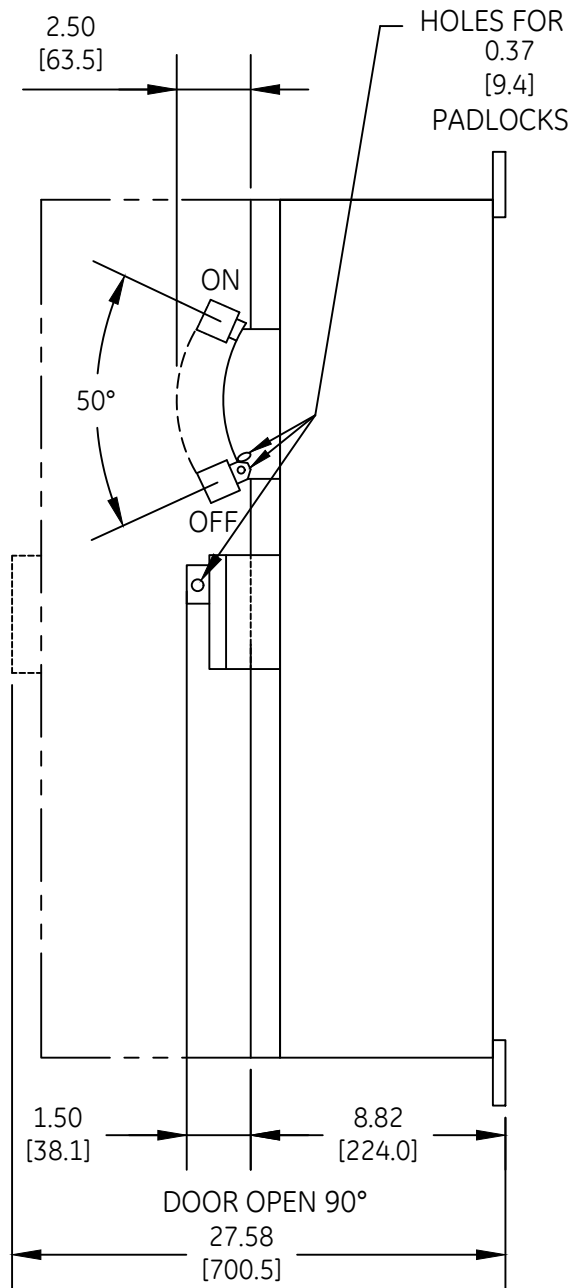
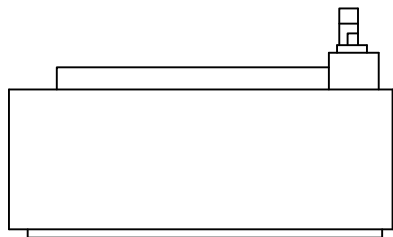
**OUTLINE
TYPE 4 / 4X ENCLOSED**

THIRD ANGLE	SHEET#	DWG NO.	DATE
	1 of 2	55-209704	03/21
			REV
			08

DUAL DIMENSIONS INCHES [MILLIMETERS] (ESTIMATING ONLY)



4 POINT.MOUNTING
[0.344 DIA.]
[8.74]



P3

ABB

OUTLINE
TYPE 4 / 4X ENCLOSED

THIRD ANGLE	SHEET#	DWG NO.	DATE	REV
	2 of 2	55-209704	03/21	04