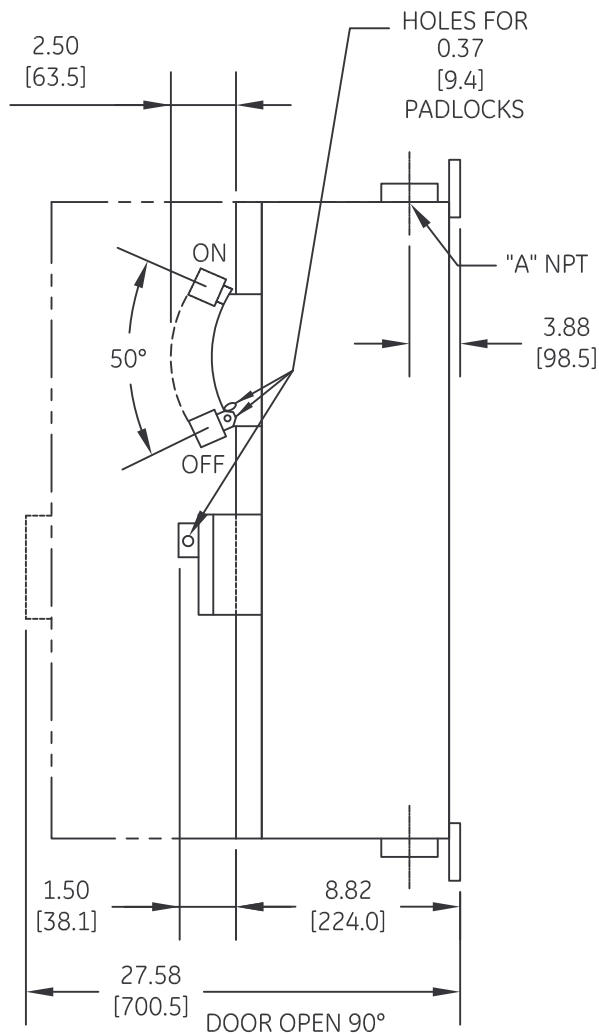
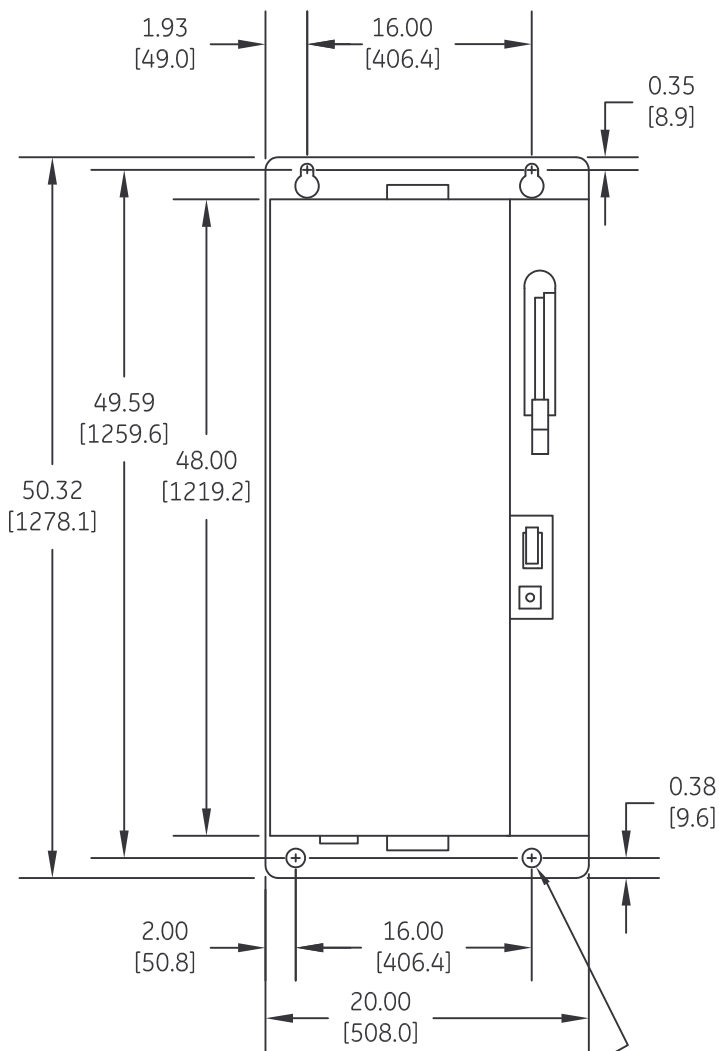
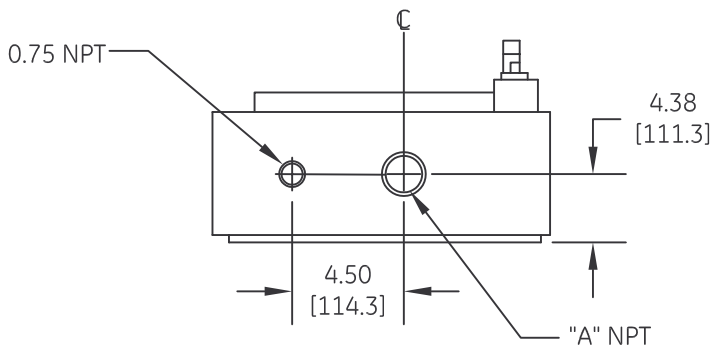


DUAL DIMENSIONS INCHES [MILLIMETERS] (ESTIMATING ONLY)



4PT.MOUNTING FOR .3/2 SCREWS



PART	"A"	FOR
1	2.50"	SIZE 4
2	2.00"	SIZE 3



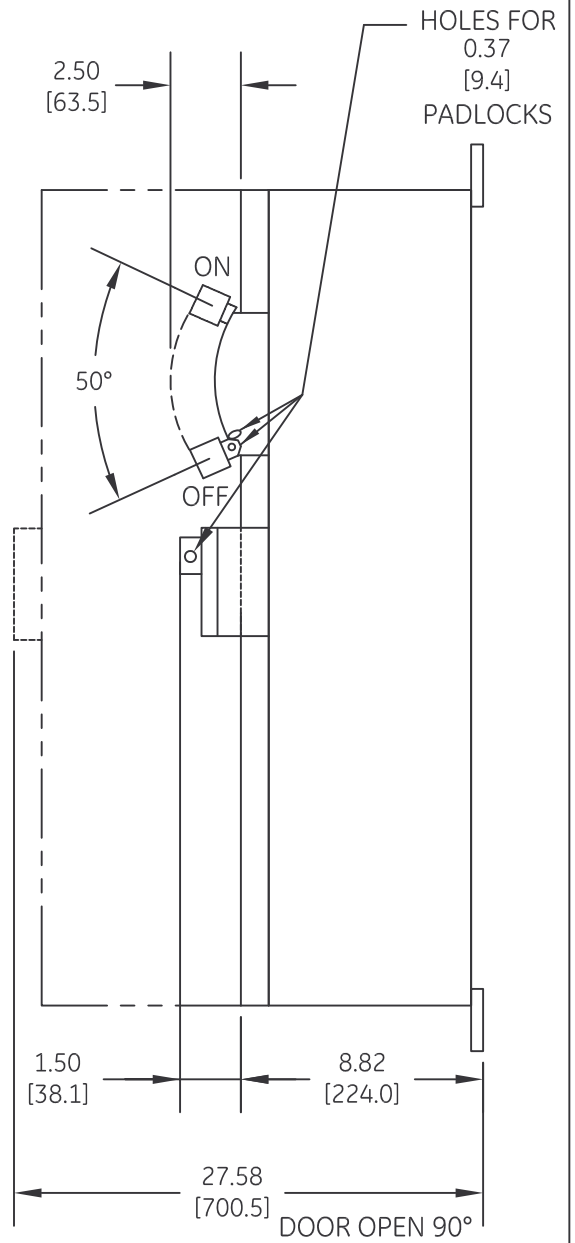
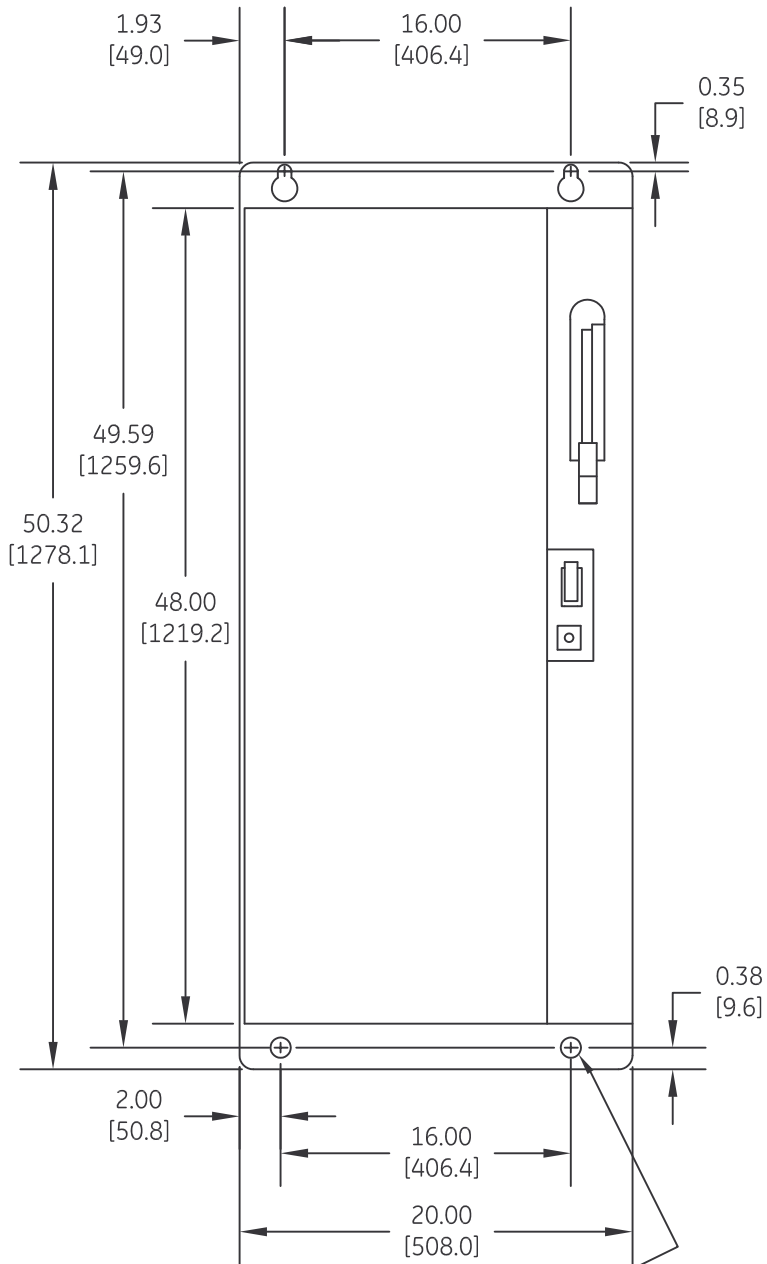
imagination at work

OUTLINE
TYPE 4 / 4X ENCLOSED

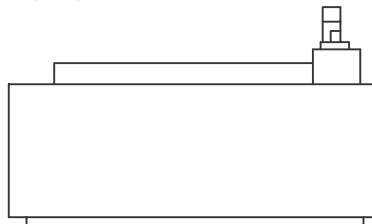
AN #	THIRD ANGLE PROJECTION	SHEET #
09-9112		1 OF 2

DWG NO.	DATE	REV
55-209704	08/21/2009	6

DUAL DIMENSIONS INCHES [MILLIMETERS] (ESTIMATING ONLY)



4 POINT MOUNTING FOR .31 SCREWS [9.5]



P3



imagination at work

OUTLINE
TYPE 4 / 4X ENCLOSED

AN #	THIRD ANGLE PROJECTION	SHEET #
09-9112		2 OF 2

DWG NO.	DATE	REV
55-209704	08/21/2009	2