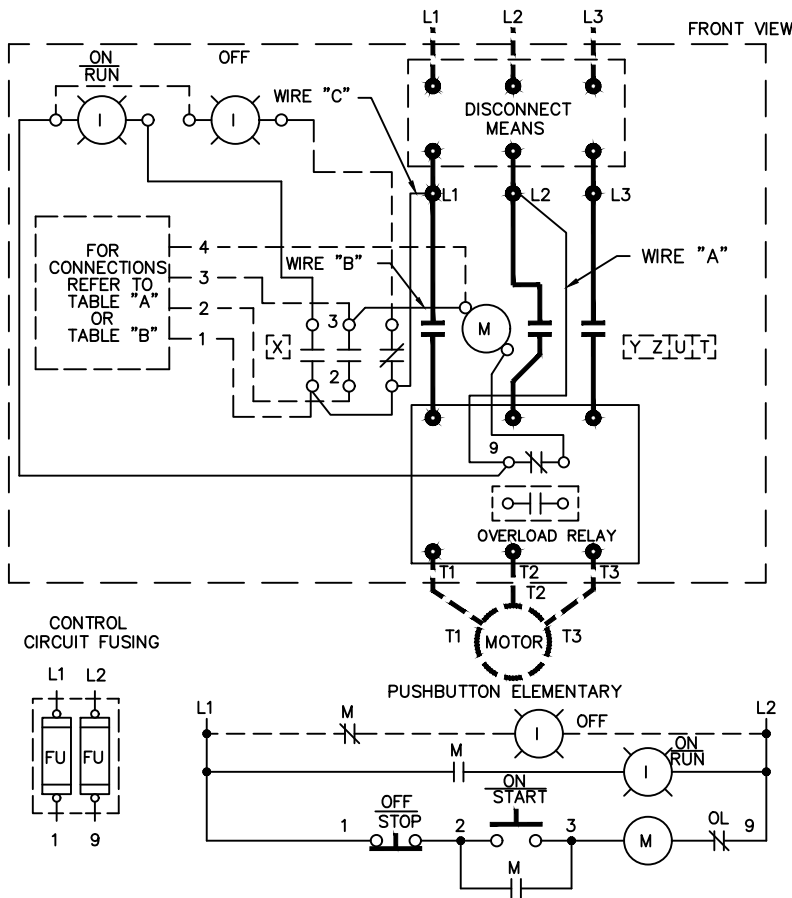


FOR 1-PHASE OPERATION USING  
 • SOLID STATE OVERLOAD RELAY  
 SEE GEH-6430 (sz 1,2) OR GEH-6431 (sz 3,4)  
 • THERMAL OVERLOAD RELAY  
 CHANGE CONNECTION WIRE "A" FROM L2 TO L3.  
 CONNECT LINE TO L1 AND L3 AND LOAD TO T1 AND T3.

USE 75°C, COPPER CONDUCTORS ONLY, FOR FIELD WIRING. TORQUE LINE AND LOAD TERMINALS AS SHOWN AT RIGHT:

SIZE	LOAD SIDE		LINE SIDE		
	THERMAL OL	ELECTRONIC OL	CR306	CR307,387	CR308
2	50	20	50	AS MARKED	50
3	150	200	150	AS MARKED	50
4	200	200	200	AS MARKED	275



FOR SEPARATE CONTROL SOURCE - OMIT WIRES "A" & "C" AND CONNECT SEPARATE CONTROL SOURCE TO N/C CONTACT ON OL AND TO 1 ON PILOT DEVICE. WIRES "A" & "C" ARE OMITTED AT FACTORY ON ALL STARTERS WITH A COIL VOLTAGE OF 120V OR LESS.

-NOMENCLATURE-  
 M-LINE CONTACTOR  
 OL-OVERLOAD RELAY  
 I-INDICATING LIGHT  
 FU-FUSE  
 X-INDICATES CONTACT CLOSED

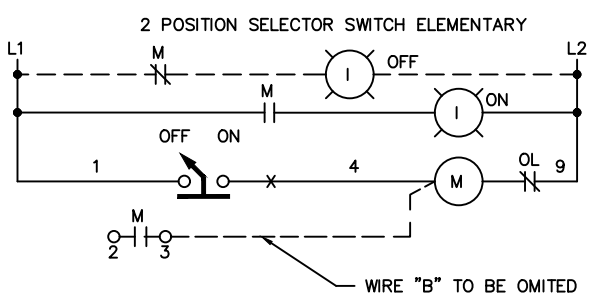
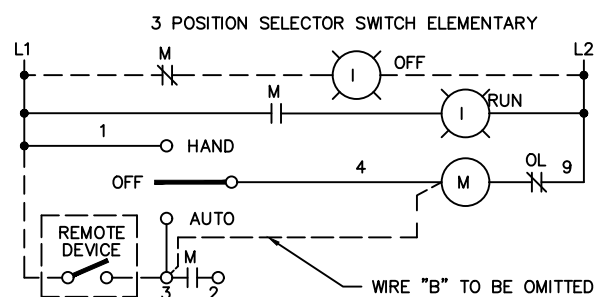
NOTE: ADDITIONAL OVER-CURRENT PROTECTION MAY BE REQUIRED. REFER TO THE NATIONAL ELECTRICAL CODE OR LOCAL ELECTRICAL CODE AS REQUIRED.

FOR STARTER WITHOUT DISCONNECT MEANS - WIRE LINE DIRECT TO L1, L2 AND L3 ON STARTER.

FOR EXTRA AUXILIARY CONTACTS- A MAXIMUM OF 3 CONTACTS MAY BE ADDED AT POSITIONS T,U,X,Y,& Z.

**GROUND KIT**

1/2-IN CONDUIT	55-213403G001
3/4-IN CONDUIT	55-213403G002
1-IN CONDUIT	55-213403G003
1 1/4-IN CONDUIT	55-213403G004
1 1/2-IN CONDUIT	55-213403G005
2-IN CONDUIT	55-213403G006
2 1/2-IN CONDUIT	55-213403G007
3-IN CONDUIT	55-213403G008



**ABB**

**WIRING DIAGRAM**  
**FVNR SIZE 2, 3 & 4**

THIRD ANGLE	SHEET#	DWG NO.	DATE
	1 of 1	55-212353	02/21
			REV
			09