

—NOMENCLATURE—
 M—LINE CONTACTOR
 I—INDICATING LIGHT
 FU—FUSE
 X—INDICATES CONTACT CLOSED

USE 75°C COPPER CONDUCTORS ONLY, FOR FIELD WIRING. TORQUE LINE AND LOAD TERMINALS AS SHOWN AT RIGHT.

TERMINAL TIGHTENING TORQUE (LB-IN)

SIZE	LOAD SIDE		LINE SIDE		
	THERMAL OL	ELECTRONIC OL	CR306	CR307,387	CR308
2	50	20	50	AS MARKED	50
3	150	200	150	AS MARKED	50
4	200	200	200	AS MARKED	275

NOTE: REFER TO THE NATIONAL ELECTRICAL CODE. ADDITIONAL CONTROL CIRCUIT OVER-CURRENT PROTECTION MAY BE REQUIRED.

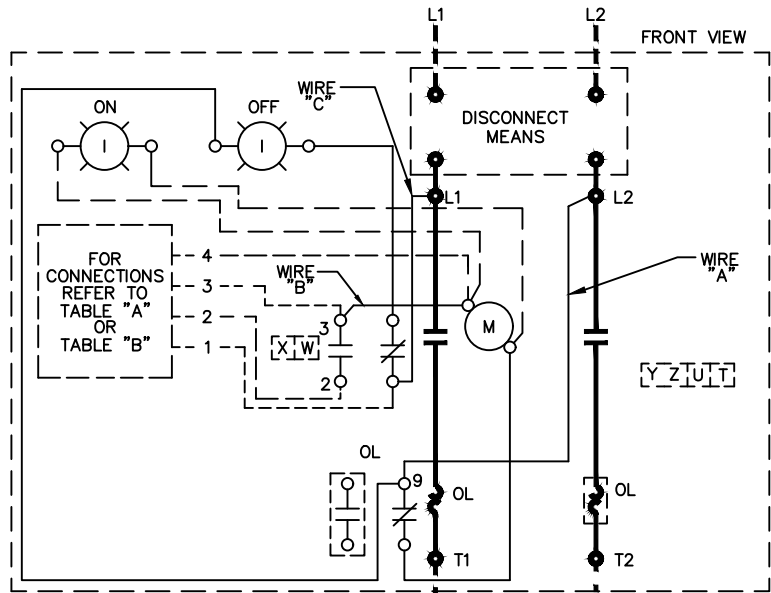
FOR STARTER WITHOUT DISCONNECT MEANS — WIRE LINE DIRECT TO L1 AND L2 ON STARTER.

FOR EXTRA AUXILIARY CONTACTS— A MAXIMUM OF 5 CONTACTS MAY BE ADDED AT POSITIONS T,U,W,X,Y & Z

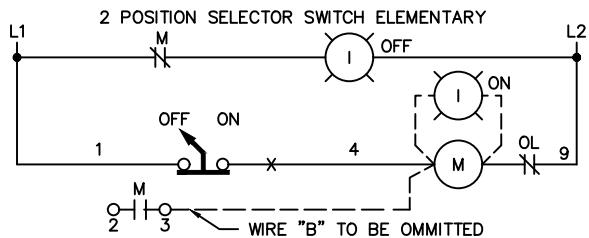
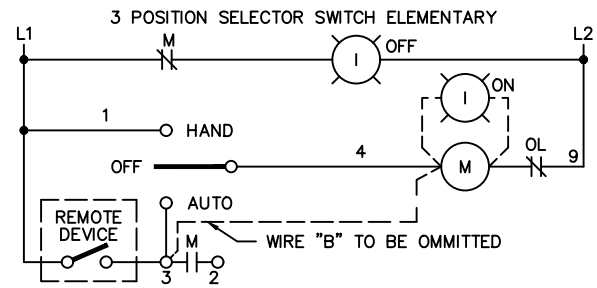
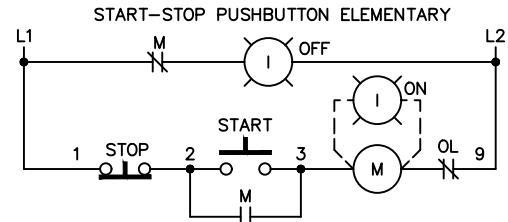
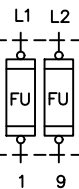
FOR SEPARATE CONTROL SOURCE — OMIT WIRE "A" AND WIRE "C". CONNECT SEPARATE CONTROL SOURCE TO 9 ON OL AND TO 1 ON PILOT DEVICE. WIRES "A" & "C" ARE OMITTED AT FACTORY ON ALL STARTERS WITH A COIL VOLTAGE OF 120V OR LESS.

FOR CSA — GND KIT

1/2-IN CONDUIT	55-213403G001
3/4-IN CONDUIT	55-213403G002
1-IN CONDUIT	55-213403G003
1 1/4-IN CONDUIT	55-213403G004
1 1/2-IN CONDUIT	55-213403G005
2-IN CONDUIT	55-213403G006
2 1/2-IN CONDUIT	55-213403G007



CONTROL CIRCUIT FUSING



ABB

WIRING DIAGRAM
 FVNR SIZE 2, 3 & 4

THIRD ANGLE	SHEET#	DWG NO.	DATE	REV
	1 of 1	55-212355	02/21	07