

-NOMENCLATURE-  
M-LINE CONTACTOR  
I-INDICATING LIGHT  
FU-FUSE  
X-INDICATES CONTACT CLOSED

USE 75°C COPPER CONDUCTORS ONLY, FOR FIELD WIRING. TORQUE LINE AND LOAD TERMINALS AS SHOWN AT RIGHT.

SIZE	TERMINAL TIGHTENING TORQUE (LB-IN)				
	LOAD SIDE	LINE SIDE			
2	THERMAL OL 50	ELECTRONIC OL 20	CR306 50	CR307,387 50	CR308 50
3	150	200	150	AS MARKED	50
4	200	200	200	AS MARKED	275

NOTE: REFER TO THE NATIONAL ELECTRICAL CODE. ADDITIONAL CONTROL CIRCUIT OVER-CURRENT PROTECTION MAY BE REQUIRED.

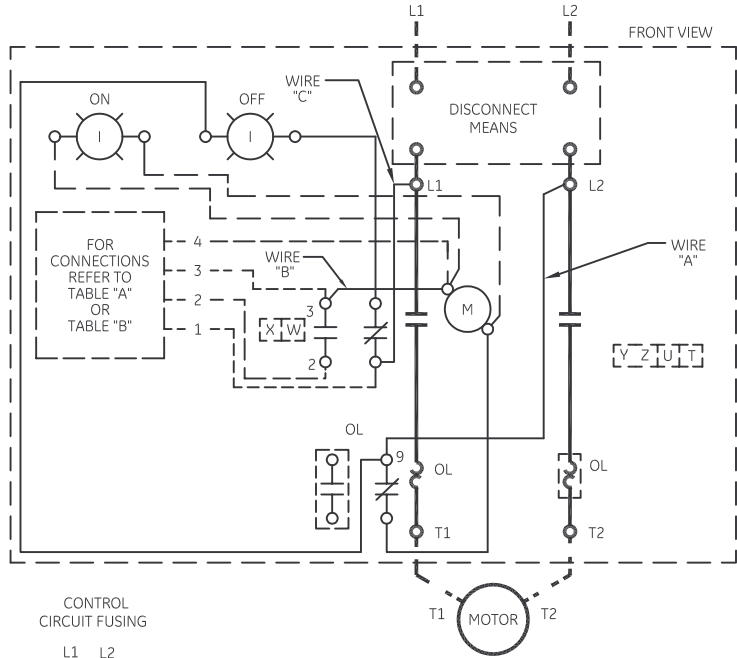
FOR STARTER WITHOUT DISCONNECT MEANS - WIRE LINE DIRECT TO L1 AND L2 ON STARTER.

FOR EXTRA AUXILIARY CONTACTS- A MAXIMUM OF 5 CONTACTS MAY BE ADDED AT POSITIONS T,U,W,X,Y & Z

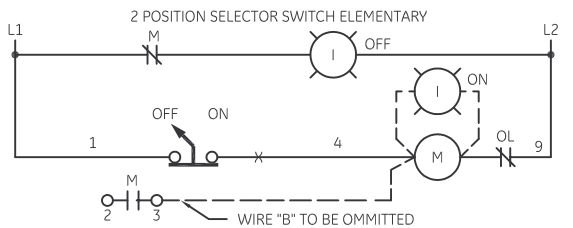
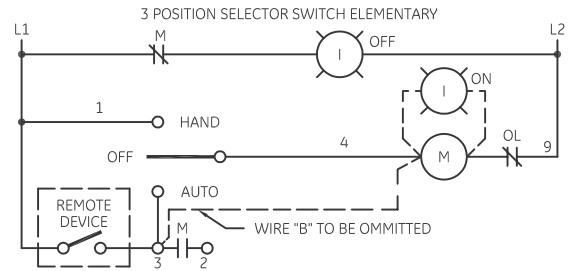
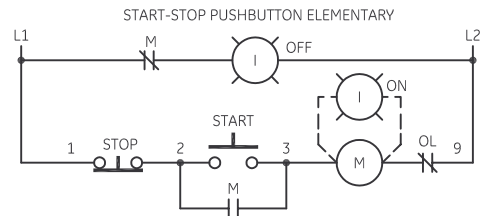
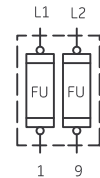
FOR SEPARATE CONTROL SOURCE - OMIT WIRE "A" AND WIRE "C". CONNECT SEPARATE CONTROL SOURCE TO 9 ON OL AND TO 1 ON PILOT DEVICE. WIRES "A" & "C" ARE OMITTED AT FACTORY ON ALL STARTERS WITH A COIL VOLTAGE OF 120V OR LESS.

FOR CSA - GND KIT

1/2-IN CONDUIT	55-213403G001
3/4-IN CONDUIT	55-213403G002
1-IN CONDUIT	55-213403G003
1 1/4-IN CONDUIT	55-213403G004
1 1/2-IN CONDUIT	55-213403G005
2-IN CONDUIT	55-213403G006
2 1/2-IN CONDUIT	55-213403G007



CONTROL CIRCUIT FUSING



imagination at work

WIRING DIAGRAM  
FVNR SIZE 2, 3 & 4

AN #	THIRD ANGLE PROJECTION	SHEET #
09-9112		1 OF 1

DWG NO.	DATE	REV
55-212355	08/21/2009	5