

TABLE A STANDARD PILOT DEVICES	TABLE B OIL-TIGHT PILOT DEVICES
<b>START-STOP</b> 	<b>START-STOP</b> 
<b>PUSHBUTTONS</b> <b>OFF ON</b>  ( OMIT WIRE "B" )	<b>PUSHBUTTONS</b> <b>OFF ON</b>  ( OMIT WIRE "B" )
<b>2 POSITION SELECTOR SWITCH</b> <b>HAND OFF AUTO</b>  ( OMIT WIRE "B" )	<b>2 POSITION SELECTOR SWITCH</b> <b>HAND OFF AUTO</b>  ( OMIT WIRE "B" )
<b>REMOTE DEVICE</b> 	<b>REMOTE DEVICE</b> 
<b>3 POSITION SELECTOR SWITCH</b> 	<b>3 POSITION SELECTOR SWITCH</b> 

—NOMENCLATURE—  
M—LINE CONTACTOR  
I—INDICATING LIGHT  
FU—FUSE  
X—INDICATES CONTACT CLOSED

USE 75°C, COPPER CONDUCTORS ONLY, FOR FIELD WIRING. TORQUE, LINE AND LOAD TERMINALS AS SHOWN AT RIGHT:

TERMINAL TIGHTENING TORQUE (LB-IN)

SIZE	LOAD SIDE		LINE SIDE		
	THERMAL OL	ELECTRONIC OL	CR306	CR307,387	CR308
2	50	20	50	AS MARKED	50
3	150	200	150	AS MARKED	50
4	200	200	200	AS MARKED	275

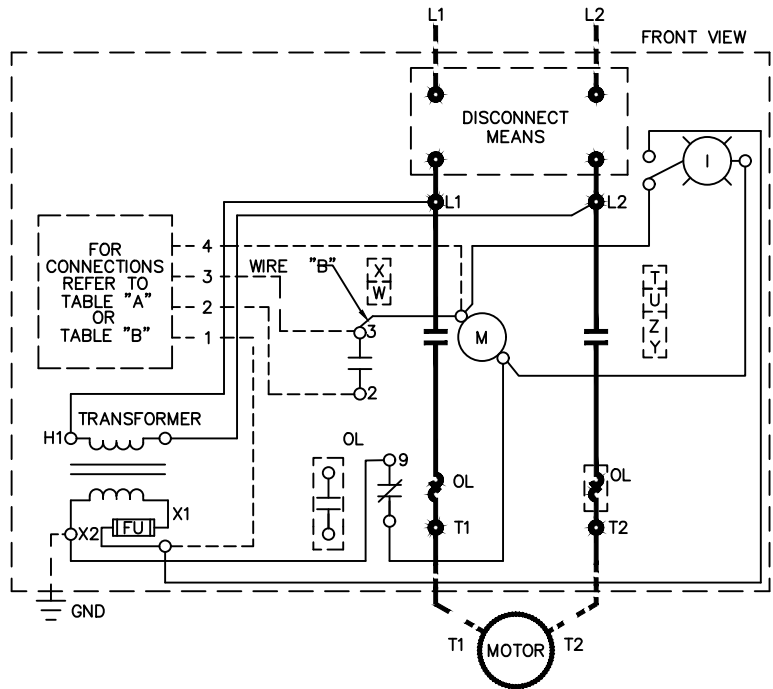
NOTE: REFER TO THE NATIONAL ELECTRICAL CODE. ADDITIONAL CONTROL OVERCURRENT PROTECTION MAY BE REQUIRED.

FOR STARTER WITHOUT DISCONNECT MEANS — WIRE LINE DIRECT TO L1, AND L2 ON STARTER.

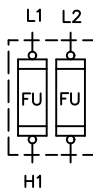
FOR EXTRA AUXILIARY CONTACTS— A MAXIMUM OF 5 CONTACTS MAY BE ADDED AT POSITIONS T,U,W,X,Y & Z

FOR CSA—GND KIT  
1/2-IN CONDUIT  
3/4-IN CONDUIT  
1-IN CONDUIT  
1 1/4-IN CONDUIT  
1 1/2-IN CONDUIT  
2-IN CONDUIT  
2 1/2-IN CONDUIT

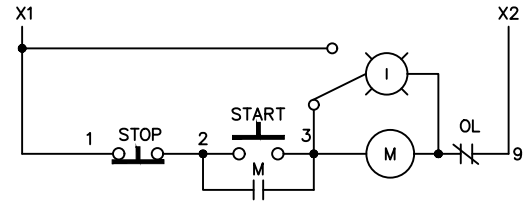
55-213403G001  
55-213403G002  
55-213403G003  
55-213403G004  
55-213403G005  
55-213403G006  
55-213403G007



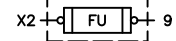
CONTROL CIRCUIT FUSING



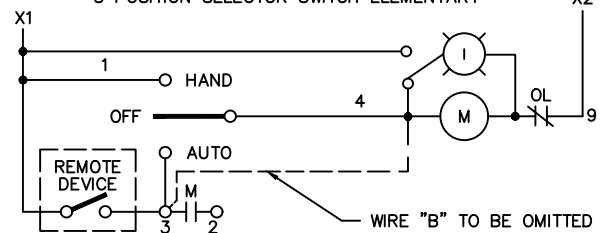
START-STOP PUSHBUTTON ELEMENTARY



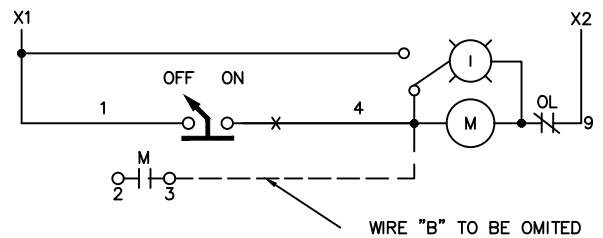
EXTRA SECONDARY FUSE



3 POSITION SELECTOR SWITCH ELEMENTARY



2 POSITION SELECTOR SWITCH ELEMENTARY



**ABB**

WIRING DIAGRAM  
FVNR SIZE 2, 3 & 4

THIRD ANGLE	SHEET#	DWG NO.	DATE	REV
	1 of 1	55-212358	02/21	06