

-NOMENCLATURE-  
M-LINE CONTACTOR  
I-INDICATING LIGHT  
FU-FUSE  
X-INDICATES CONTACT CLOSED

USE 75°C, COPPER CONDUCTORS ONLY, FOR FIELD WIRING. TORQUE LINE AND LOAD TERMINALS AS SHOWN AT RIGHT:

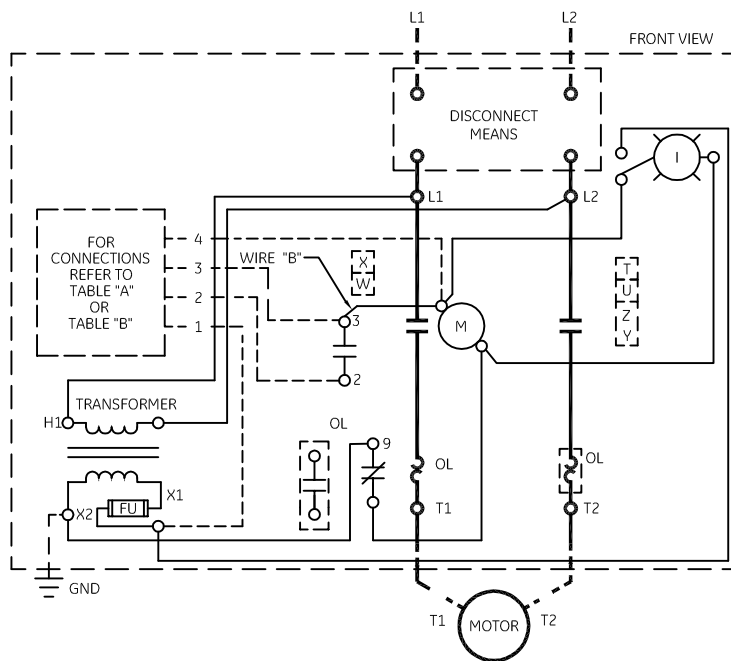
SIZE	LOAD SIDE		LINE SIDE		
	THERMAL OL	ELECTRONIC OL	CR306	CR307,387	CR308
2	50	20	50	AS MARKED	50
3	150	200	150	AS MARKED	50
4	200	200	200	AS MARKED	275

NOTE: REFER TO THE NATIONAL ELECTRICAL CODE. ADDITIONAL CONTROL CIRCUIT OVERCURRENT PROTECTION MAY BE REQUIRED.

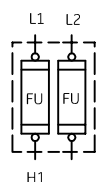
FOR STARTER WITHOUT DISCONNECT MEANS - WIRE LINE DIRECT TO L1, AND L2 ON STARTER.

FOR EXTRA AUXILIARY CONTACTS- A MAXIMUM OF 5 CONTACTS MAY BE ADDED AT POSITIONS T,U,W,X,Y & Z

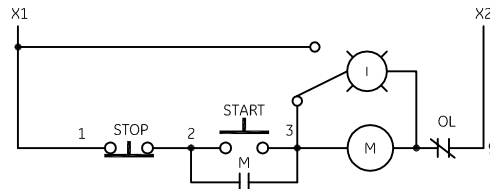
FOR CSA-GND KIT  
1/2-IN CONDUIT 55-213403G001  
3/4-IN CONDUIT 55-213403G002  
1-IN CONDUIT 55-213403G003  
1 1/4-IN CONDUIT 55-213403G004  
1 1/2-IN CONDUIT 55-213403G005  
2-IN CONDUIT 55-213403G006  
2 1/2-IN CONDUIT 55-213403G007



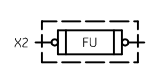
CONTROL CIRCUIT FUSING



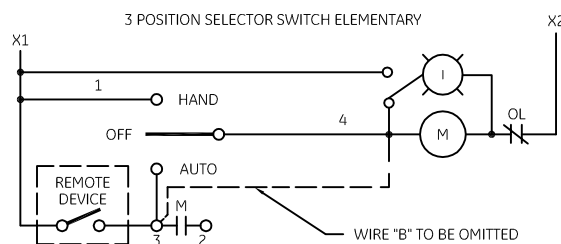
START-STOP PUSHBUTTON ELEMENTARY



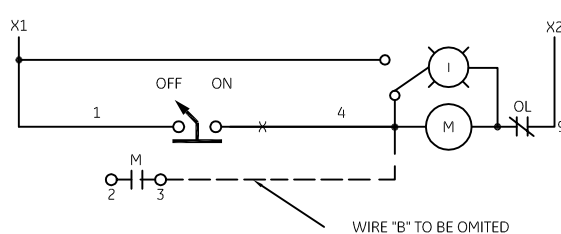
EXTRA SECONDARY FUSE



3 POSITION SELECTOR SWITCH ELEMENTARY



2 POSITION SELECTOR SWITCH ELEMENTARY



imagination at work

WIRING DIAGRAM  
FVNR SIZE 2, 3 & 4

AN #	THIRD ANGLE PROJECTION	SHEET #
09-9112		1 OF 1

DWG NO.	DATE	REV
55-212358	08/18/2009	5