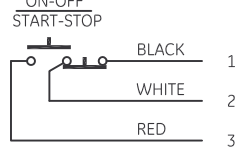
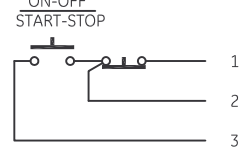
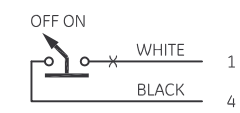
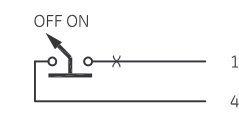
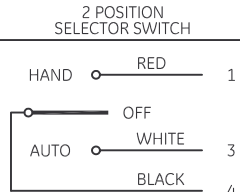
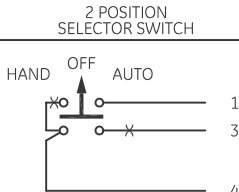
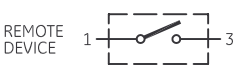
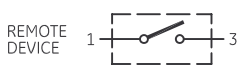




TABLE A	TABLE B
STANDARD PILOT DEVICES ON-OFF START-STOP 	OIL-TIGHT PILOT DEVICES ON-OFF START-STOP 
PUSHBUTTONS OFF ON  <p>(OMIT WIRE "B")</p>	PUSHBUTTONS OFF ON  <p>(OMIT WIRE "B")</p>
2 POSITION SELECTOR SWITCH HAND OFF  <p>(OMIT WIRE "B")</p>	2 POSITION SELECTOR SWITCH OFF AUTO  <p>(OMIT WIRE "B")</p>
REMOTE DEVICE 	REMOTE DEVICE 
3 POSITION SELECTOR SWITCH 	3 POSITION SELECTOR SWITCH 

FOR 1-PHASE OPERATION-CHANGE CONNECTION OF WIRE "A" FROM L2 TO L3. CONNECT LINE TO L1 AND L3 AND LOAD TO T1 AND T3.

USE 75°C COPPER CONDUCTORS ONLY, FOR FIELD WIRING. TORQUE LINE AND LOAD TERMINALS AS MARKED OR AS SHOWN AT RIGHT:

NEMA SIZE	STARTER LINE & LOAD
2 *	50 LB-IN
3	150 LB-IN
4 **	200 LB-IN
5 ***	300 LB-IN
6 ****	375 LB-IN

* INCLUDES CR3CL
 ** INCLUDES CR3CM,N,P&-R
 *** INCLUDES CR3CS
 **** INCLUDES CR3CT

DISCONNECT SW LINE SIDE
50 LB-IN
50 LB-IN
275 LB-IN
AS MARKED
AS MARKED

DEVICES
 DEVICES
 DEVICES
 DEVICES

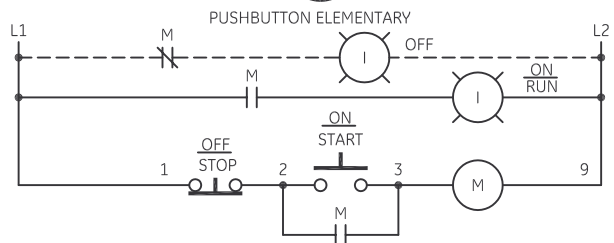
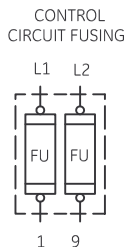
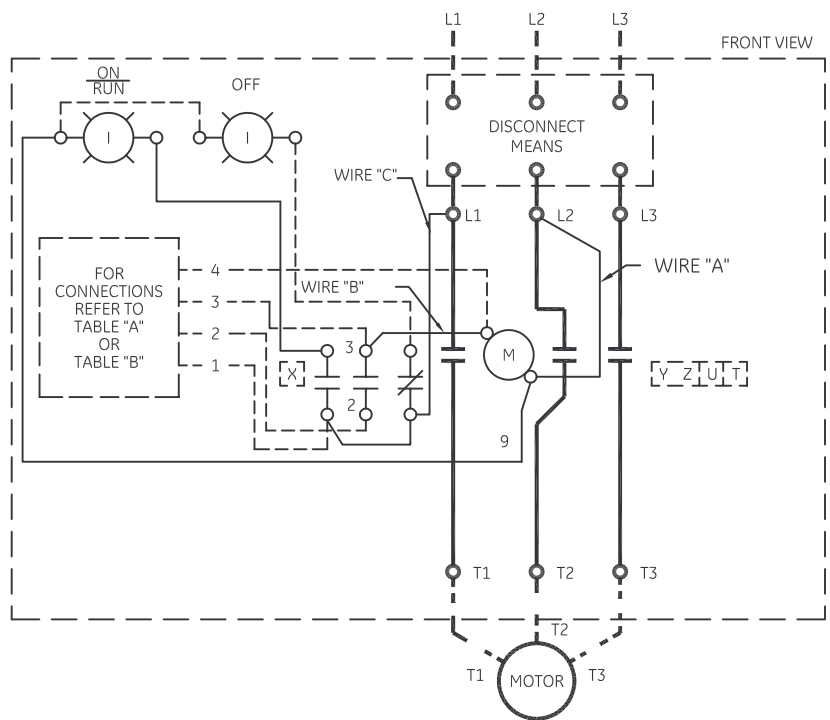
FOR SEPARATE CONTROL SOURCE- OMIT WIRE "A" AND WIRE "C". CONNECT SEPARATE CONTROL SOURCE TO 9 ON COIL AND TO 1 ON PILOT DEVICE. WIRES "A" AND "C" ARE OMITTED AT FACTORY ON ALL CONTACTORS WITH A COIL VOLTAGE OF 120V OR LESS.

NOTE: REFER TO THE NATIONAL ELECTRICAL CODE. ADDITIONAL CONTROL CIRCUIT OVER-CURRENT PROTECTION MAY BE REQUIRED.

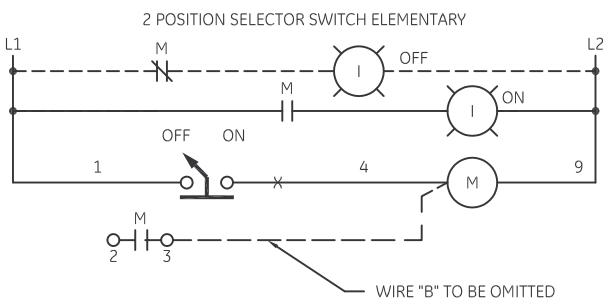
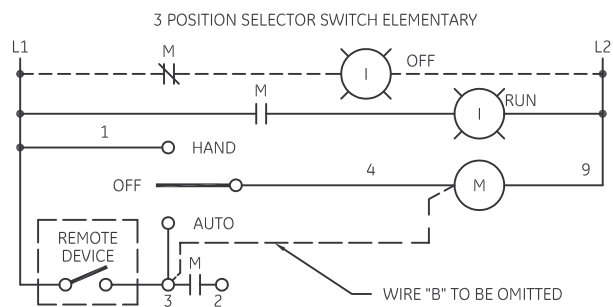
FOR CONTACTOR WITHOUT DISCONNECT MEANS - WIRE LINE DIRECT TO L1, L2 AND L3 ON CONTACTOR

FOR EXTRA AUXILIARY CONTACTS - A MAXIMUM OF 3 CONTACTS MAY BE ADDED AT POSITIONS T,U,X,Y & Z.

FOR CSA - GND KIT	
1/2 IN. CONDUIT	55-213403G001
3/4 IN. CONDUIT	55-213403G002
1 IN. CONDUIT	55-213403G003
1-1/4 IN. CONDUIT	55-213403G004
1-1/2 IN. CONDUIT	55-213403G005
2 IN. CONDUIT	55-213403G006
2-1/2 IN. CONDUIT	55-213403G007
3 IN. CONDUIT	55-213403G008



-NOMENCLATURE-
 M-LINE CONTACTOR
 I-INDICATING LIGHT
 FU-FUSE
 X-INDICATES CONTACT CLOSED



WIRING DIAGRAM
 FVNR SIZE 2, 3 & 4

AN #	THIRD ANGLE PROJECTION	SHEET #	DWG NO.	DATE	REV
09-9111		1 OF 1	55-212359	08/07/2009	5