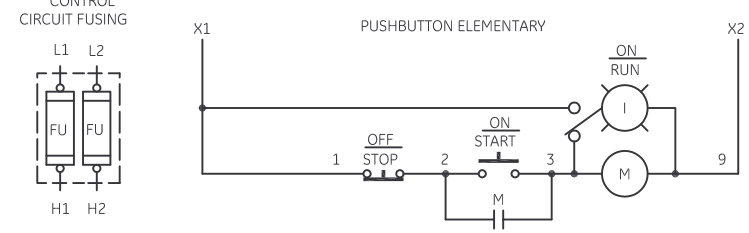
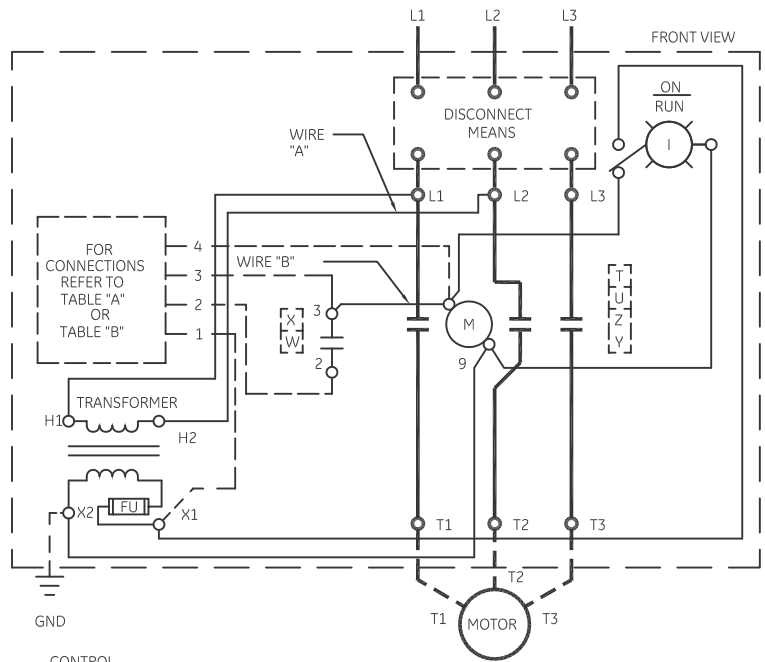


TABLE A	TABLE B
<b>STANDARD PILOT DEVICES</b> <b>ON-OFF START-STOP</b> 	<b>OIL-TIGHT PILOT DEVICES</b> <b>ON-OFF START-STOP</b> 
<b>PUSHBUTTONS</b> <b>OFF ON</b>  ( OMIT WIRE "B" )	<b>PUSHBUTTONS</b> <b>OFF ON</b>  ( OMIT WIRE "B" )
<b>2 POSITION SELECTOR SWITCH</b> <b>HAND</b> RED 1 <b>OFF</b> WHITE 3 <b>AUTO</b> BLACK 4  ( OMIT WIRE "B" )	<b>2 POSITION SELECTOR SWITCH</b> <b>HAND</b> OFF 1 <b>AUTO</b> X 3  ( OMIT WIRE "B" )
<b>REMOTE DEVICE</b> 	<b>REMOTE DEVICE</b> 

-NOMENCLATURE-  
M-LINE CONTACTOR  
I-INDICATING LIGHTS  
FU-FUSE  
X-INDICATES CONTACT CLOSED

USE 75°C COPPER CONDUCTORS ONLY, FOR FIELD WIRING. TORQUE LINE AND LOAD TERMINALS AS SHOWN AT RIGHT:

	LINE	LOAD
CR305	50 LB-IN	50 LB-IN
CR307	AS MARKED	50 LB-IN
CR308	50 LB-IN	50 LB-IN
CR387	AS MARKED	50 LB-IN



SIZE 2

SIZE 3

SIZE 4

NOTE: REFER TO THE NATIONAL ELECTRICAL CODE. ADDITIONAL CONTROL CIRCUIT OVERCURRENT PROTECTION MAY BE REQUIRED.

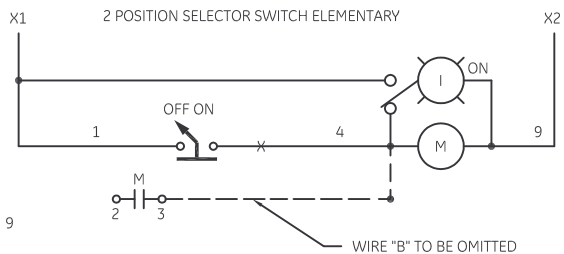
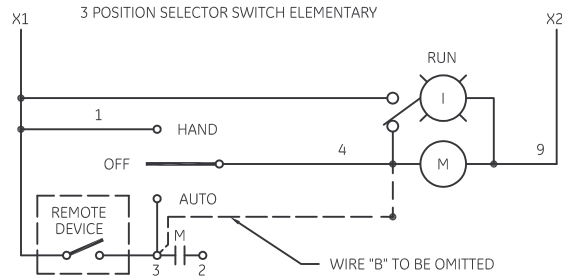
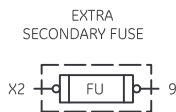
FOR 1-PHASE OPERATION-CHANGE CONNECTION OF WIRE "A" FROM L2 TO L3. CONNECT LINE TO L1 AND L3 AND LOAD TO T1 AND T3.

FOR CONTACTOR WITHOUT DISCONNECT MEANS - WIRE LINE DIRECT TO L1, L2 AND L3 ON CONTACTOR.

FOR EXTRA AUXILIARY CONTACTS - A MAXIMUM OF 5 CONTACTS MAY BE ADDED AT POSITIONS T,U,W,X,Y & Z.

FOR CSA-GND KIT

1/2-IN CONDUIT	55-213403G001
3/4-IN CONDUIT	55-213403G002
1-IN CONDUIT	55-213403G003
1 1/4-IN CONDUIT	55-213403G004
1 1/2-IN CONDUIT	55-213403G005
2-IN CONDUIT	55-213403G006
2 1/2-IN CONDUIT	55-213403G007



imagination at work

WIRING DIAGRAM  
FVNR SIZE 2, 3 & 4

AN #	THIRD ANGLE PROJECTION	SHEET #
09-9111		1 OF 1

DWG NO.	DATE	REV
55-212362	08/10/2009	5