

-NOMENCLATURE-
M-LINE CONTACTOR
OL-OVERLOAD RELAY
FCC-FUSED CONTROL CIRCUIT
I- INDICATING LIGHTS
FU-FUSE
X-INDICATES CONTACT CLOSED

FOR 1-PHASE OPERATION USING
• SOLID STATE OVERLOAD RELAY
SEE GEH-6430(sz 1,2) OR GEH-6431 (sz 3,4)
• THERMAL OVERLOAD RELAY
CHANGE CONNECTION WIRE "A" FROM L2 TO L3.
CONNECT LINE TO L1 AND L3 AND LOAD TO T1 AND T3.

ALTERNATE LEGEND FOR HAND-OFF-AUTO
IS TEST-OFF-AUTO

NOTE: FOR STARTER WITHOUT DISCONNECTING MEANS.
OMIT WIRING FROM CIRCUIT BREAKER OR DISCONNECT SWITCH TO STARTER AND WIRE LINE DIRECT TO L1, L2 AND L3 OF STARTER.

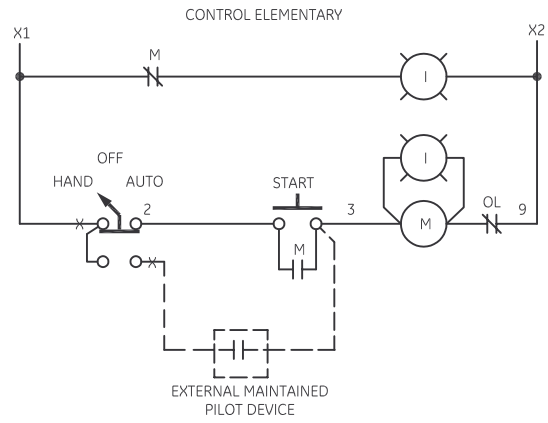
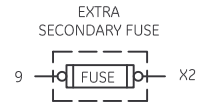
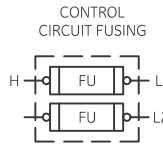
NOTE: ADDITIONAL OVER-CURRENT PROTECTION
MAY BE REQUIRED. REFER TO THE
NATIONAL ELECTRICAL CODE OR LOCAL
ELECTRICAL CODE AS REQUIRED.

FOR EXTRA AUXILIARY CONTACTS- A MAXIMUM OF 3
CONTACTS MAYBE ADDED AT POSITIONS
T,U,W.& Z.

USE 75°C COPPER CONDUCTORS ONLY, FOR FIELD WIRING. TORQUE LINE AND LOAD TERMINALS AS MARKED OR AS SHOWN AT RIGHT.		LINE	LOAD
	CR306	20 LB-IN	20 LB-IN
	CR307	AS MARKED	20 LB-IN
	CR308	35 LB-IN	20 LB-IN
	CR387	AS MARKED	20 LB-IN

GROUND KIT

1/2-IN CONDUIT	55-213403G001
3/4-IN CONDUIT	55-213403G002
1-IN CONDUIT	55-213403G003
1 1/4-IN CONDUIT	55-213403G004
1 1/2-IN CONDUIT	55-213403G005
2-IN CONDUIT	55-213403G006
2 1/2-IN CONDUIT	55-213403G007
3-IN CONDUIT	55-213403G008



WIRING DIAGRAM
FVNR SIZE 00, 0 & 1

AN #	THIRD ANGLE PROJECTION	SHEET #
09-9111		1 OF 1

DWG NO.	DATE	REV
55-212381	08/10/2009	6