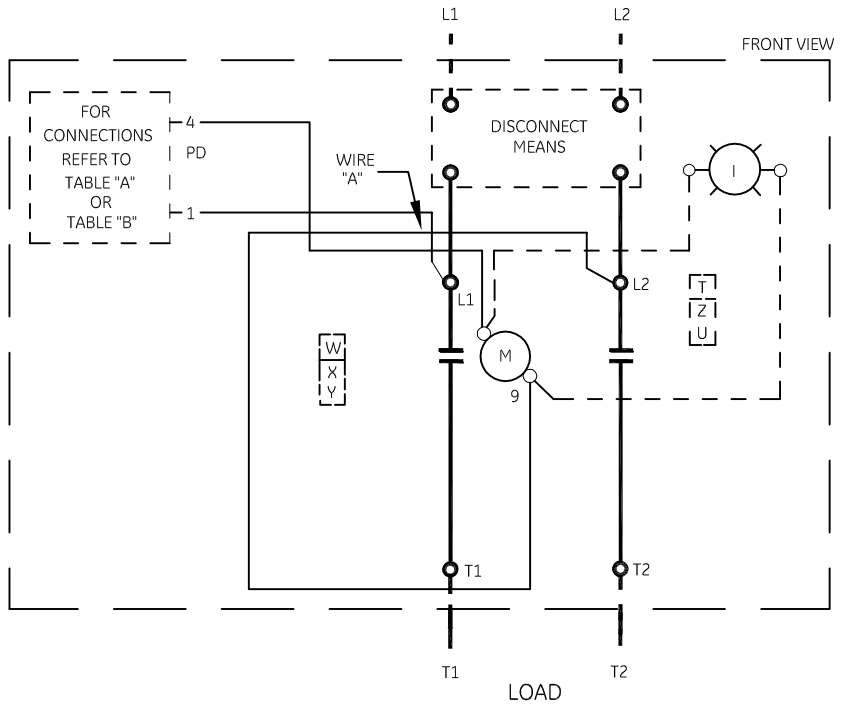


TABLE A STANDARD PILOT DEVICES	TABLE B OIL-TIGHT PILOT DEVICES
<p>OFF ON WHITE 1 BLACK 4</p>	<p>OFF ON WHITE 1 BLACK 4</p>
<p>2 POSITION SELECTOR SWITCH</p>	<p>2 POSITION SELECTOR SWITCH</p>
<p>HAND RED 1 OFF WHITE PD AUTO BLACK 4</p>	<p>HAND OFF AUTO WHITE 1 BLACK PD BLACK 4</p>
<p>3 POSITION SELECTOR SWITCH</p>	<p>3 POSITION SELECTOR SWITCH</p>



-NOMENCLATURE-
M-LINE CONTACTOR
I-INDICATING LIGHT
FU-FUSE
X-INDICATES CONTACT CLOSED
PD - PILOT DEVICE

FOR CSA-GND KIT
1/2-IN CONDUIT 55-213403G001
3/4-IN CONDUIT 55-213403G002

NOTE: REFER TO THE NATIONAL ELECTRICAL CODE.
ADDITIONAL CONTROL CIRCUIT OVER-CURRENT
PROTECTION MAY BE REQUIRED.

FOR EXTRA AUXILIARY CONTACTS - A MAXIMUM OF 4
CONTACTS MAY BE ADDED AT POSITIONS
T, U, W, X, Y & Z FOR SIZE 0 & 1 ONLY.

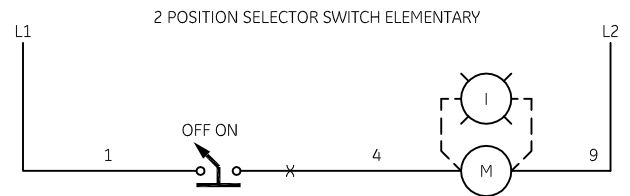
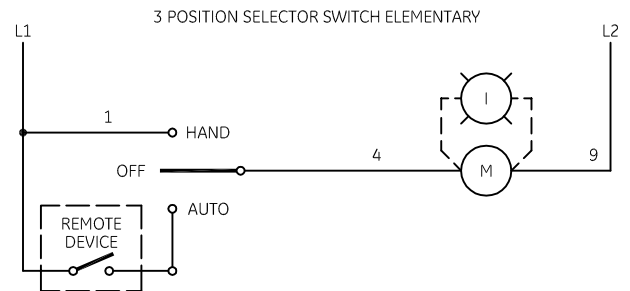
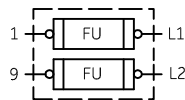
FOR CONTACTOR WITHOUT DISCONNECT MEANS - WIRE
LINE DIRECT TO L1 AND L2 ON CONTACTOR.

WIRE "A" IS OMITTED AT FACTORY ON ALL
CONTACTORS WITH A COIL VOLTAGE OF 120 V
OR LESS

		LINE	LOAD
TORQUE LINE AND	CR305	20 LB-IN	20 LB-IN
LOAD TERMINALS	CR307	AS MARKED	20 LB-IN
AS SHOWN	CR308	35 LB-IN	20 LB-IN
AT RIGHT:	CR387	AS MARKED	20 LB-IN

USE 75°C COPPER CONDUCTORS ONLY, FOR FIELD WIRING.

CONTROL
CIRCUIT FUSING



imagination at work

WIRING DIAGRAM
FVNR SIZE 00, 0 & 1

AN #	THIRD ANGLE PROJECTION	SHEET #	DWG NO.	DATE	REV
09-9120		1 OF 1	55-212412	10/05/2009	2