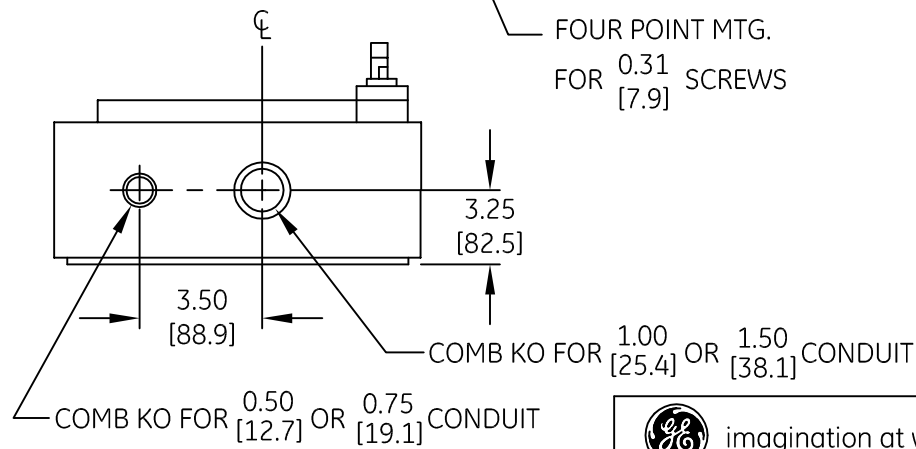
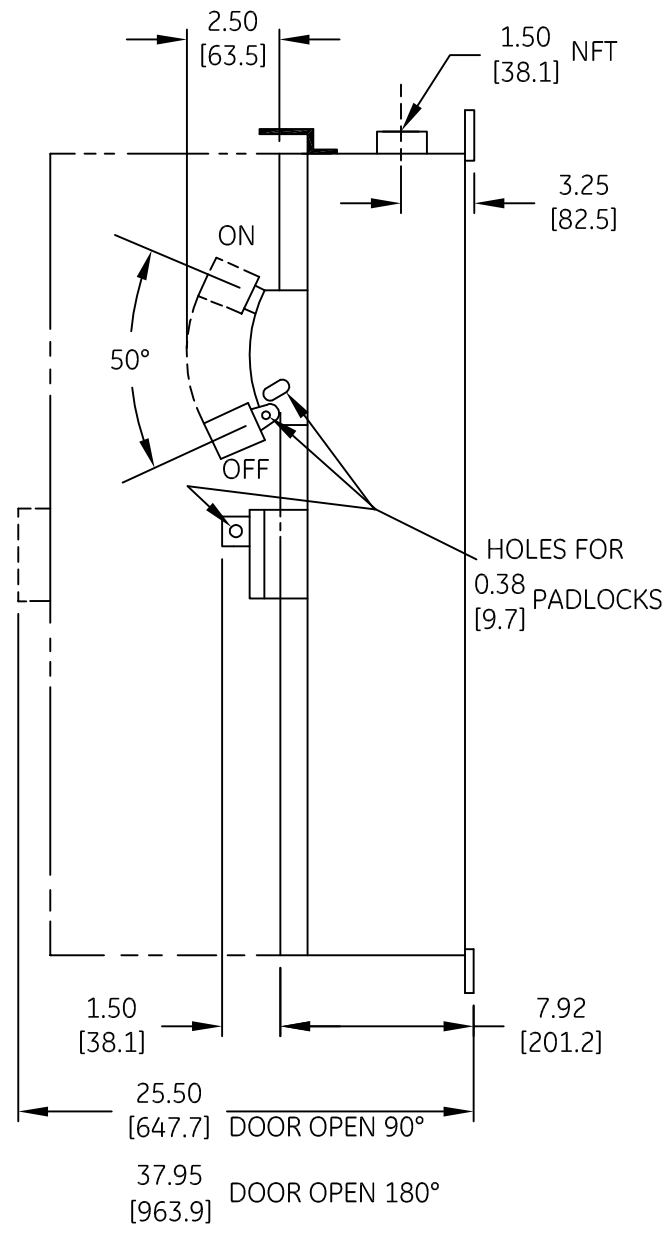
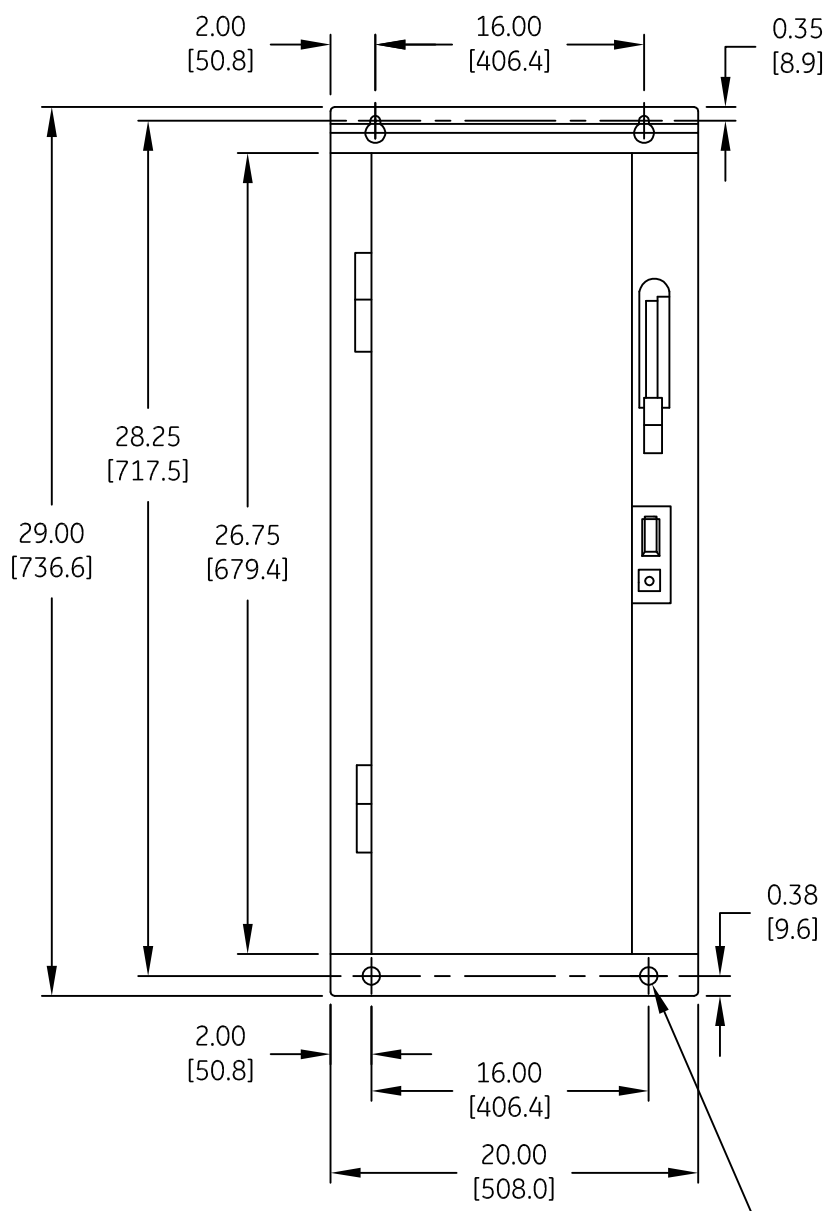



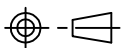
DUAL DIMENSIONS INCHES (ESTIMATING ONLY)
[MILLIMETERS]



 imagination at work

OUTLINE
TYPE 3R ENCLOSED

DWG NO.	DATE	REV
55-212828	08/20/2009	1

AN #	THIRD ANGLE PROJECTION	SHEET #
09-9112		1 OF 1