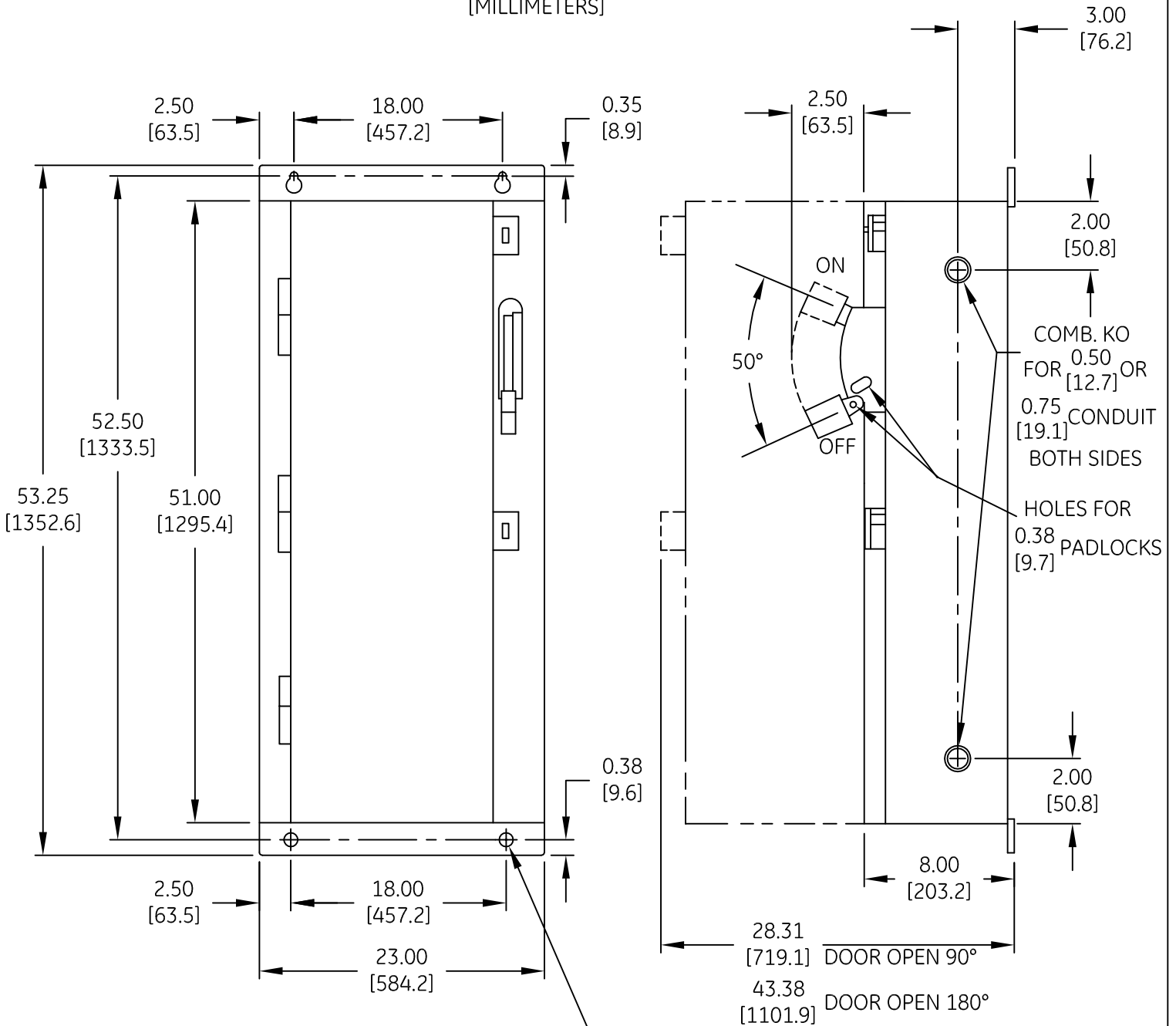
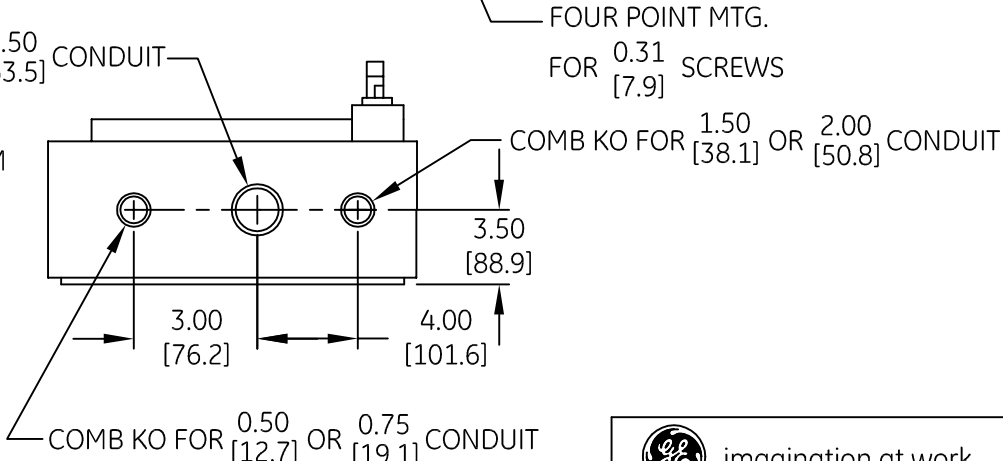


DUAL DIMENSIONS INCHES (ESTIMATING ONLY)
[MILLIMETERS]



COMB KO FOR 2.00 [50.8] OR 2.50 [63.5] CONDUIT

KO'S SAME TOP & BOTTOM



OUTLINE
TYPE 1 ENCLOSED

AN #	THIRD ANGLE PROJECTION	SHEET #	DWG NO.	DATE	REV
09-9112		1 OF 1	55-213179	08/20/2009	2