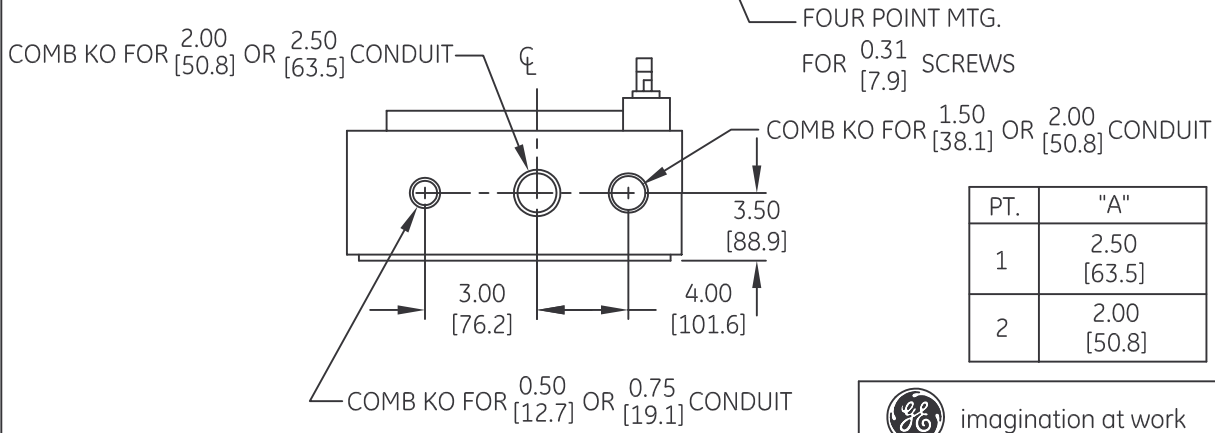
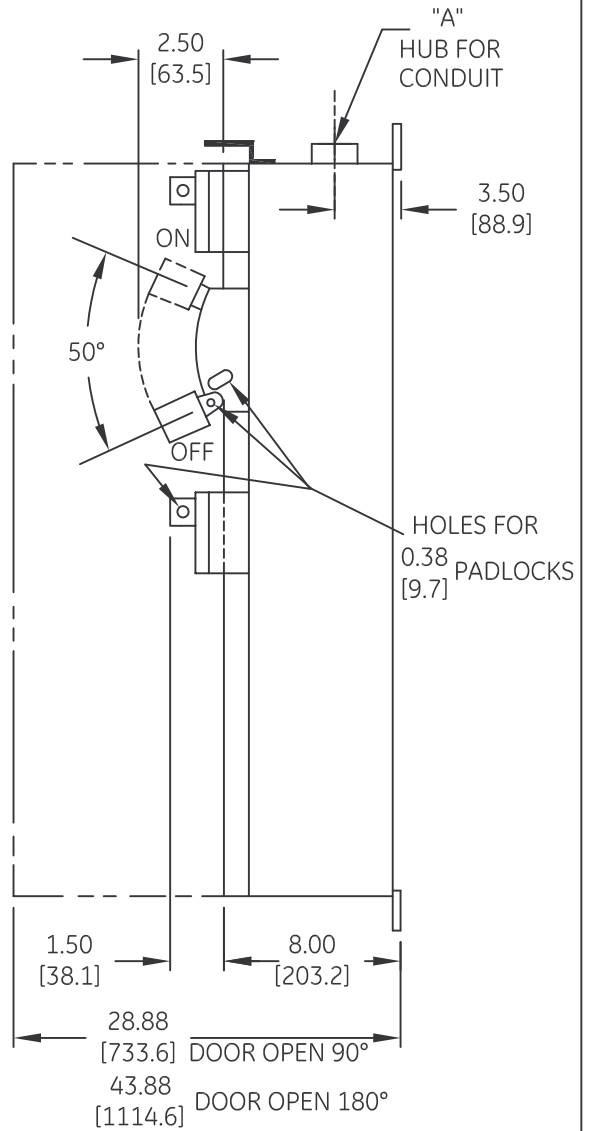
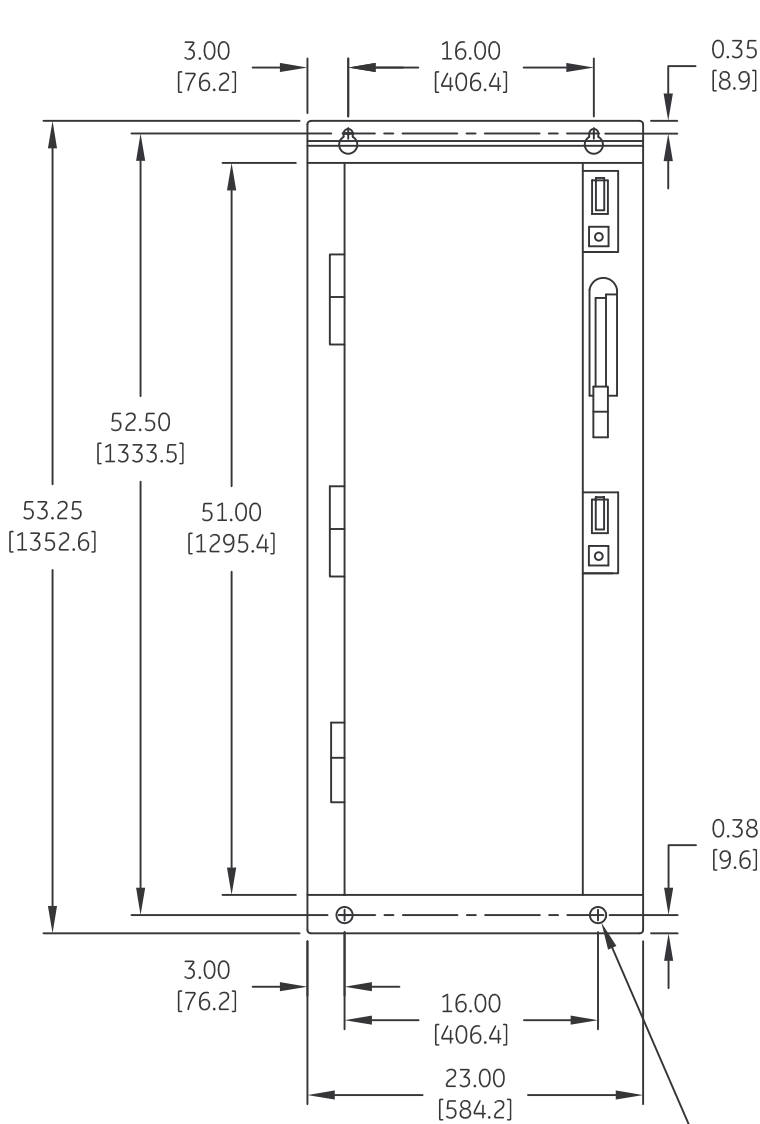


DUAL DIMENSIONS INCHES (ESTIMATING ONLY)  
[MILLIMETERS]



PT.	"A"
1	2.50 [63.5]
2	2.00 [50.8]



imagination at work

OUTLINE  
TYPE 3R ENCLOSED

AN #	THIRD ANGLE PROJECTION	SHEET #
09-9112		1 OF 1

DWG NO.	DATE	REV
55-213182	08/20/2009	2