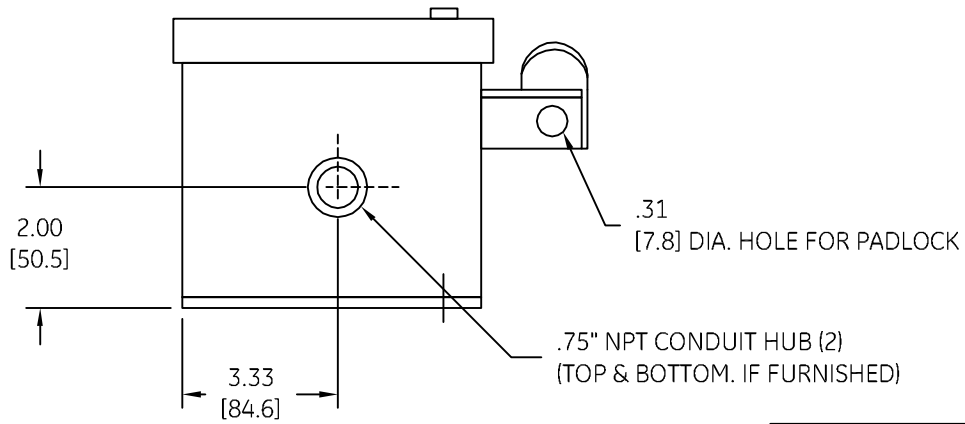
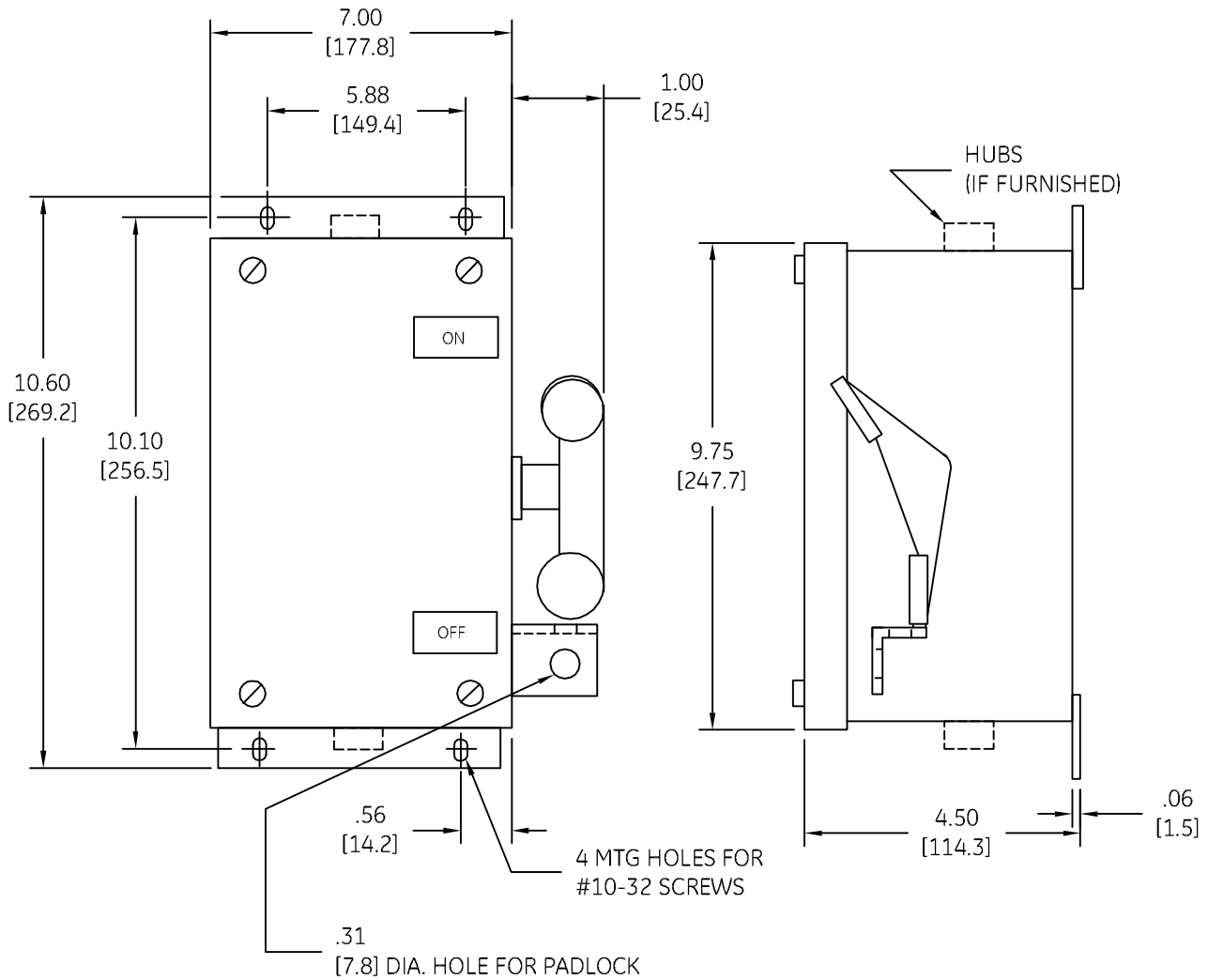



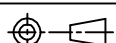
DUAL DIMENSIONS INCHES (ESTIMATING ONLY)
[MILLIMETERS]



 imagination at work

OUTLINE
TYPE 3 / 12 / 13 / 4 / 4X ENCLOSED

DWG NO.	DATE	REV
55-213486	12/19/2009	2

AN #	THIRD ANGLE PROJECTION	SHEET #
09-9121		1 OF 1