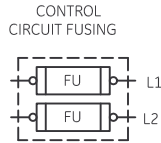


-NOMENCLATURE-
M-LINE CONTACTOR
OL-OVERLOAD RELAY
I-INDICATING LIGHT
FU-FUSE
X-INDICATES CONTACT CLOSED

FOR SEPARATE CONTROL SOURCE - OMIT WIRES "A" & "C"
AND CONNECT SEPARATE CONTROL SOURCE TO N/C
CONTACT ON OL AND TO 1 ON PILOT DEVICE.
WIRES "A" & "C" ARE OMITTED AT FACTORY ON ALL
STARTERS WITH A COIL VOLTAGE OF 120V OR LESS.



		SIZE 2		SIZE 3		SIZE 4	
		LINE	LOAD	LINE	LOAD	LINE	LOAD
USE 75°C COPPER CONDUCTORS ONLY, FOR FIELD WIRING. TORQUE AS SHOWN AT RIGHT:	CR306	50 LB-IN	50 LB-IN	150 LB-IN	150 LB-IN	200 LB-IN	200 LB-IN
	CR307	AS MARKED	50 LB-IN	AS MARKED	150 LB-IN	AS MARKED	200 LB-IN
	CR308	50 LB-IN	50 LB-IN	50 LB-IN	150 LB-IN	275 LB-IN	200 LB-IN
	CR387	AS MARKED	50 LB-IN	AS MARKED	150 LB-IN	AS MARKED	200 LB-IN

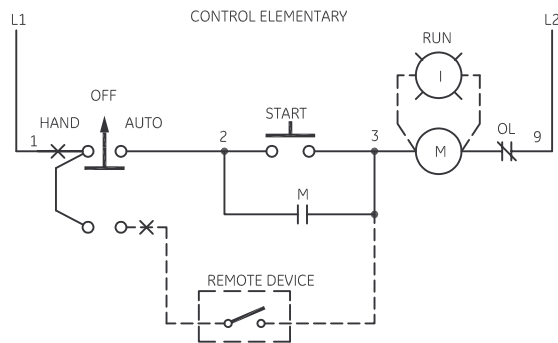
NOTE: ADDITIONAL OVER-CURRENT PROTECTION MAY BE REQUIRED. REFER TO THE NATIONAL ELECTRICAL CODE OR LOCAL ELECTRICAL CODE AS REQUIRED.

FOR 1-PHASE OPERATION USING
• SOLID STATE OVERLOAD RELAY
SEE GEH-6430(s2 1,2) OR GEH-6431 (s2 3,4)
• THERMAL OVERLOAD RELAY
CHANGE CONNECTION WIRE "A" FROM L2 TO L3.
CONNECT LINE TO L1 AND L3 AND LOAD TO T1 AND T3.

FOR STARTER WITHOUT DISCONNECT MEANS - WIRE LINE DIRECT TO L1, L2 AND L3 ON CONTACTOR.

FOR EXTRA AUXILIARY CONTACTS- A MAXIMUM OF 5 CONTACTS MAY BE ADDED AT POSITIONS T,U,X,Y,& Z.

GROUND KIT	
1/2-IN CONDUIT	55-213403G001
3/4-IN CONDUIT	55-213403G002
1-IN CONDUIT	55-213403G003
1 1/4-IN CONDUIT	55-213403G004
1 1/2-IN CONDUIT	55-213403G005
2-IN CONDUIT	55-213403G006
2 1/2-IN CONDUIT	55-213403G007
3-IN CONDUIT	55-213403G008



imagination at work

WIRING DIAGRAM
FVNR SIZE 2, 3 & 4

AN #	THIRD ANGLE PROJECTION	SHEET #
09-9111		1 OF 1

DWG NO.	DATE	REV
55-213678	08/10/2009	4