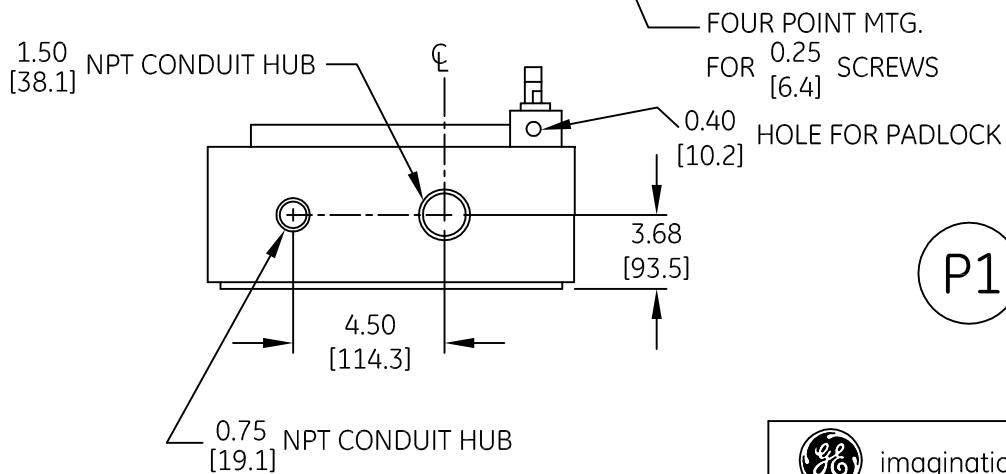
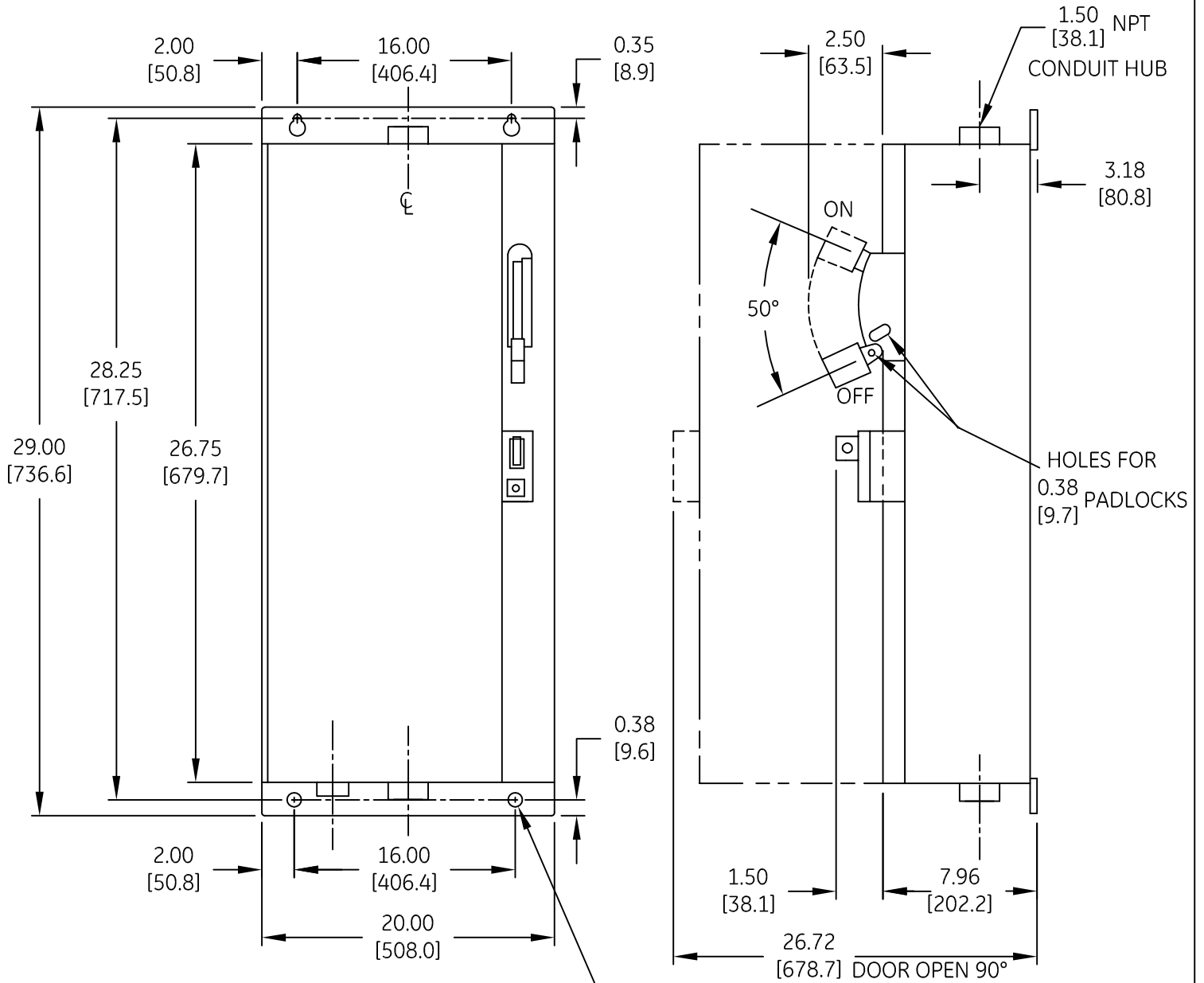


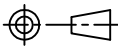
DUAL DIMENSIONS INCHES (ESTIMATING ONLY)  
[MILLIMETERS]



P1

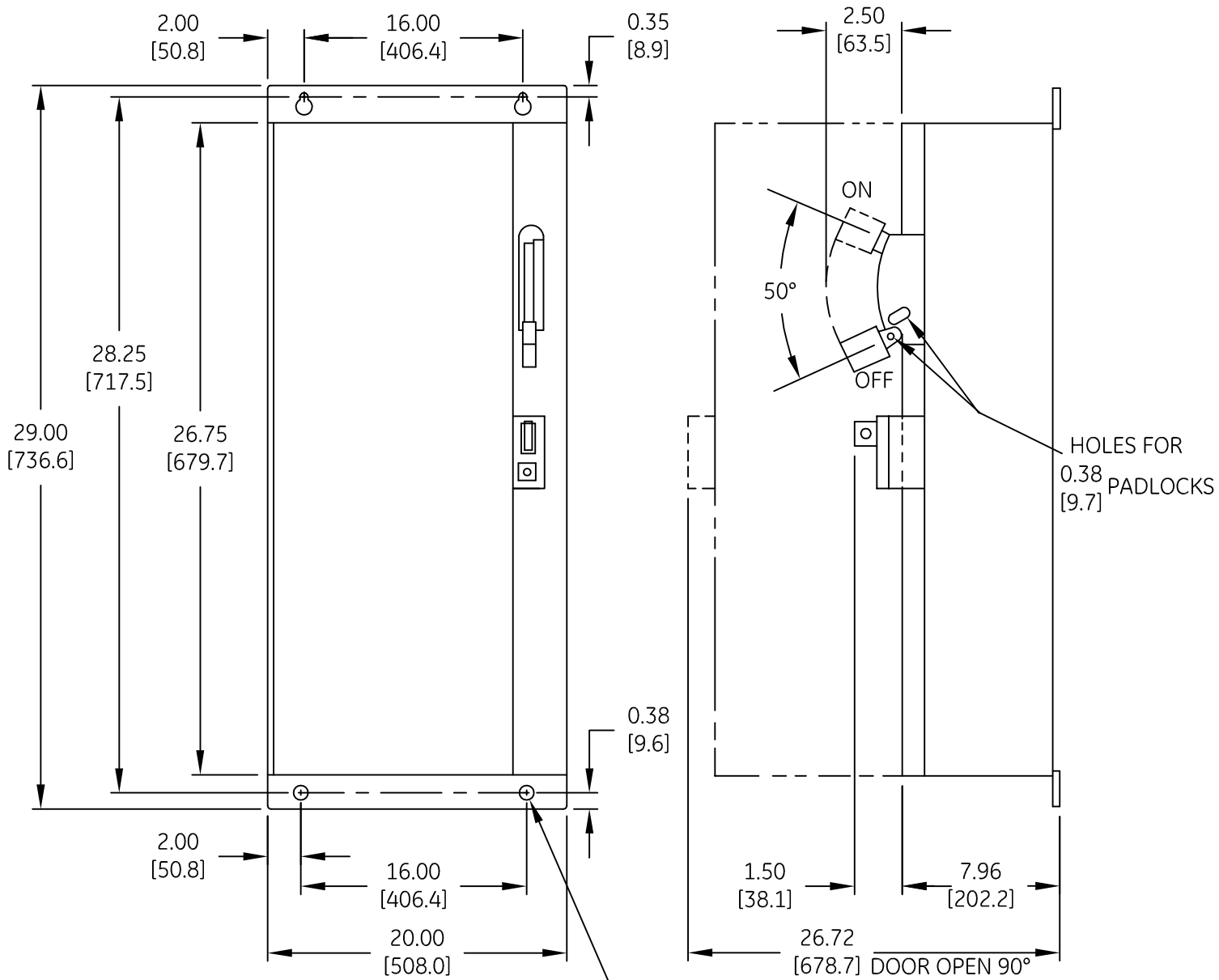
 imagination at work

OUTLINE  
TYPE 4 / 4X ENCLOSED

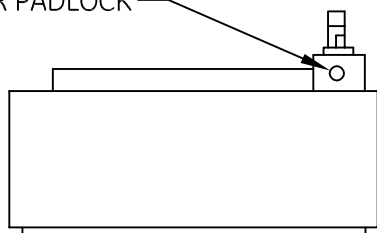
AN #	THIRD ANGLE PROJECTION	SHEET #
09-9112		1 OF 2

DWG NO.	DATE	REV
55-213811	08/24/2009	3

DUAL DIMENSIONS INCHES (ESTIMATING ONLY)  
[MILLIMETERS]



0.40 [10.2] HOLE FOR PADLOCK



FOUR POINT MTG.  
FOR 0.25 [6.4] SCREWS

P2



imagination at work

OUTLINE  
TYPE 4 / 4X ENCLOSED

AN #	THIRD ANGLE PROJECTION	SHEET #
09-9112		2 OF 2

DWG NO.	DATE	REV
55-213811	08/24/2009	2