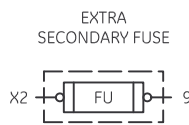
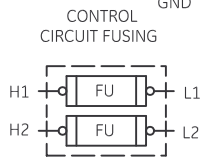


-NOMENCLATURE-  
M-LINE CONTACTOR  
OL-OVERLOAD RELAY  
I-INDICATING LIGHTS  
FU-FUSE  
X-INDICATES CONTACT CLOSED



|  |       | SIZE 2    | SIZE 3    | SIZE 4    |
|--|-------|-----------|-----------|-----------|
| USE 75°C COPPER CONDUCTORS ONLY, FOR FIELD WIRING. TORQUE AS SHOWN AT RIGHT: |       |           |           |           |
|  | CR306 | 50 LB-IN  | 150 LB-IN | 200 LB-IN |
|  | CR307 | AS MARKED | AS MARKED | AS MARKED |
|  | CR308 | 50 LB-IN  | 50 LB-IN  | 275 LB-IN |
|  | CR387 | AS MARKED | 150 LB-IN | 200 LB-IN |
|  |       | 50 LB-IN  | 150 LB-IN | 200 LB-IN |

NOTE: ADDITIONAL OVER-CURRENT PROTECTION MAY BE REQUIRED. REFER TO THE NATIONAL ELECTRICAL CODE OR LOCAL ELECTRICAL CODE AS REQUIRED.

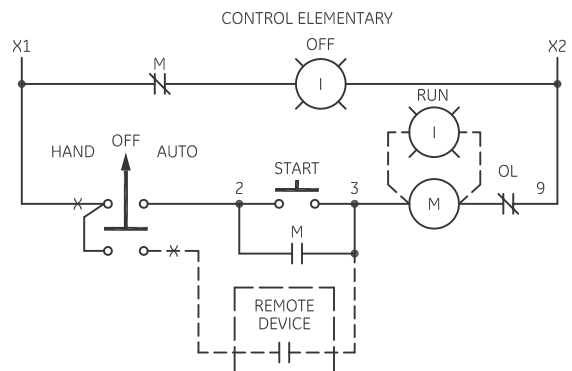
- FOR 1-PHASE OPERATION USING
- SOLID STATE OVERLOAD RELAY  
SEE GEH-6430(s2 1,2) OR GEH-6431 (s2 3,4)
  - THERMAL OVERLOAD RELAY  
CHANGE CONNECTION WIRE "A" FROM L2 TO L3. CONNECT LINE TO L1 AND L3 AND LOAD TO T1 AND T3.

FOR STARTER WITHOUT DISCONNECT MEANS - WIRE LINE DIRECT TO L1, L2 AND L3 ON STARTER.

FOR EXTRA AUXILIARY CONTACTS - A MAXIMUM OF 4 CONTACTS MAY BE ADDED AT POSITIONS U,W,X,Y,& Z.

GROUND KIT

|                  |               |
|------------------|---------------|
| 1/2-IN CONDUIT   | 55-213403G001 |
| 3/4-IN CONDUIT   | 55-213403G002 |
| 1-IN CONDUIT     | 55-213403G003 |
| 1 1/4-IN CONDUIT | 55-213403G004 |
| 1 1/2-IN CONDUIT | 55-213403G005 |
| 2-IN CONDUIT     | 55-213403G006 |
| 2 1/2-IN CONDUIT | 55-213403G007 |
| 3-IN CONDUIT     | 55-213403G008 |



imagination at work

WIRING DIAGRAM  
FVNR SIZE 2, 3 & 4

| AN #    | THIRD ANGLE PROJECTION | SHEET # | DWG NO.   | DATE       | REV |
|---------|------------------------|---------|-----------|------------|-----|
| 09-9111 |                        | 1 OF 1  | 55-215201 | 08/10/2009 | 4   |