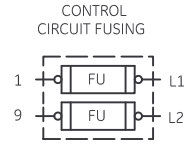


- NOMENCLATURE-
- M-LINE CONTACTOR
 - OL-OVERLOAD RELAY
 - I-INDICATING LIGHTS
 - FU-FUSE
 - X-INDICATES CONTACT CLOSED

FOR SEPARATE CONTROL SOURCE - OMIT WIRES "A" & "C" AND CONNECT SEPARATE CONTROL SOURCE TO N/C CONTACT ON OL AND TO 1 ON PILOT DEVICE. WIRES "A" & "C" ARE OMITTED AT FACTORY ON ALL STARTERS WITH A COIL VOLTAGE OF 120V OR LESS.



		SIZE 2		SIZE 3		SIZE 4	
		LINE	LOAD	LINE	LOAD	LINE	LOAD
USE 75°C COPPER CONDUCTORS ONLY, FOR FIELD WIRING. TORQUE	CR306	50 LB-IN	50 LB-IN	150 LB-IN	150 LB-IN	200 LB-IN	200 LB-IN
LINE AND LOAD TERMINALS AS SHOWN AT RIGHT:	CR307	AS MARKED	50 LB-IN	AS MARKED	150 LB-IN	AS MARKED	200 LB-IN
	CR308	50 LB-IN	50 LB-IN	50 LB-IN	150 LB-IN	275 LB-IN	200 LB-IN
	CR387	AS MARKED	50 LB-IN	AS MARKED	150 LB-IN	AS MARKED	200 LB-IN

NOTE: ADDITIONAL OVER-CURRENT PROTECTION MAY BE REQUIRED. REFER TO THE NATIONAL ELECTRICAL CODE OR LOCAL ELECTRICAL CODE AS REQUIRED.

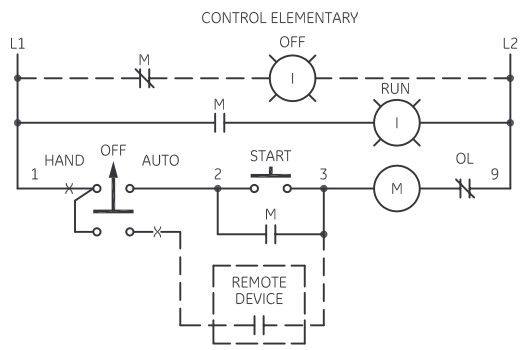
- FOR 1-PHASE OPERATION USING
- SOLID STATE OVERLOAD RELAY - SEE GEH-6430(s2 1,2) OR GEH-6431 (sz 3,4)
 - THERMAL OVERLOAD RELAY - CHANGE CONNECTION WIRE "A" FROM L2 TO L3. CONNECT LINE TO L1 AND L3 AND LOAD TO T1 AND T3.

FOR STARTER WITHOUT DISCONNECT MEANS - WIRE LINE DIRECT TO L1, L2 AND L3 ON STARTER.

FOR EXTRA AUXILIARY CONTACTS - A MAXIMUM OF 3 CONTACTS MAY BE ADDED AT POSITIONS T,U,X,Y & Z.

GROUND KIT

1/2-IN CONDUIT	55-213403G001
3/4-IN CONDUIT	55-213403G002
1-IN CONDUIT	55-213403G003
1 1/4-IN CONDUIT	55-213403G004
1 1/2-IN CONDUIT	55-213403G005
2-IN CONDUIT	55-213403G006
2 1/2-IN CONDUIT	55-213403G007
3-IN CONDUIT	55-213403G008



imagination at work

WIRING DRAWING
FVNR SIZE 2, 3 & 4

AN #	THIRD ANGLE PROJECTION	SHEET #	DWG NO.	DATE	REV
09-9111		1 OF 1	55-215208	08/10/2009	2