

-NOMENCLATURE-
M-LINE CONTACTOR
OL-OVERLOAD RELAY
I-INDICATING LIGHT
FU-FUSE
X-INDICATES CONTACT CLOSED

USE 75°C COPPER
CONDUCTORS ONLY, FOR
FIELD WIRING. TORQUE
LINE AND LOAD TERMINALS
AS SHOWN AT RIGHT:

	SIZE 2	LINE	LOAD
CR306	50 LB-IN	50 LB-IN	50 LB-IN
CR307	AS MARKED	50 LB-IN	50 LB-IN
CR308	50 LB-IN	50 LB-IN	50 LB-IN
CR387	AS MARKED	50 LB-IN	50 LB-IN

	SIZE 3	LINE	LOAD
	150 LB-IN	150 LB-IN	150 LB-IN
	AS MARKED	150 LB-IN	150 LB-IN
	50 LB-IN	150 LB-IN	150 LB-IN
	AS MARKED	150 LB-IN	150 LB-IN

	SIZE 4	LINE	LOAD
	200 LB-IN	200 LB-IN	200 LB-IN
	AS MARKED	200 LB-IN	200 LB-IN
	275 LB-IN	200 LB-IN	200 LB-IN
	AS MARKED	200 LB-IN	200 LB-IN

NOTE: ADDITIONAL OVER-CURRENT PROTECTION
MAY BE REQUIRED. REFER TO THE
NATIONAL ELECTRICAL CODE OR LOCAL
ELECTRICAL CODE AS REQUIRED.

FOR 1-PHASE OPERATION USING
• SOLID STATE OVERLOAD RELAY
SEE GEH-6430(s2 1,2) OR GEH-6431 (s2 3,4)
• THERMAL OVERLOAD RELAY
CHANGE CONNECTION WIRE "A" FROM L2 TO L3.
CONNECT LINE TO L1 AND L3 AND LOAD TO T1 AND T3.

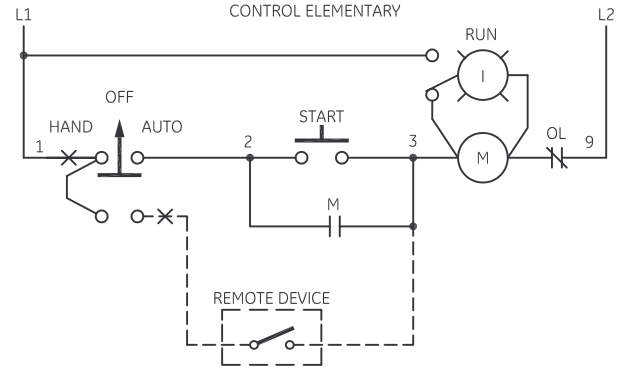
FOR STARTER WITHOUT DISCONNECT MEANS - WIRE
LINE DIRECT TO L1, L2 AND L3 ON CONTACTOR.

FOR EXTRA AUXILIARY CONTACTS- A MAXIMUM OF 5
CONTACTS MAY BE ADDED AT POSITIONS
T,U,W,X,Y & Z.

GROUND KIT

1/2-IN CONDUIT	55-213403G001
3/4-IN CONDUIT	55-213403G002
1-IN CONDUIT	55-213403G003
1 1/4-IN CONDUIT	55-213403G004
1 1/2-IN CONDUIT	55-213403G005
2-IN CONDUIT	55-213403G006
2 1/2-IN CONDUIT	55-213403G007
3-IN CONDUIT	55-213403G008

FOR SEPARATE CONTROL SOURCE - OMIT WIRES "A" & "C"
AND CONNECT SEPARATE CONTROL SOURCE TO N/C
CONTACT ON OL AND TO 1 ON PILOT DEVICE.
WIRES "A" & "C" ARE OMITTED AT FACTORY ON ALL
STARTERS WITH A COIL VOLTAGE OF 120V OR LESS.



WIRING DIAGRAM
FVNR SIZE 2, 3 & 4

AN #	THIRD ANGLE PROJECTION	SHEET #
09-9111		1 OF 1

DWG NO.	DATE	REV
55-215209	08/10/2009	2